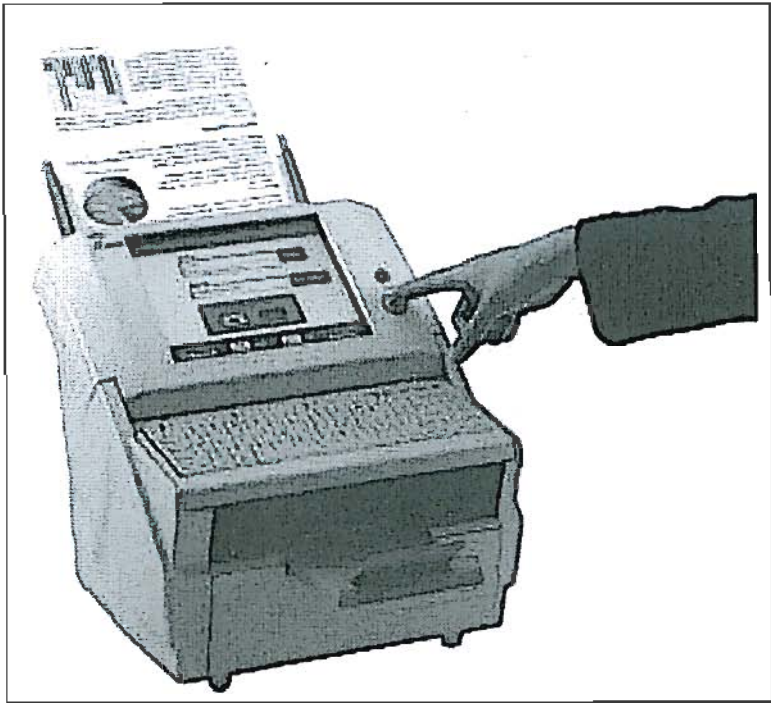
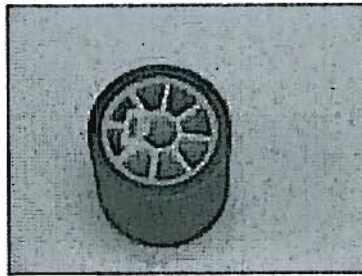


**fi-6000NS/fi-6010N CONSUMABLE REPLACEMENT
AND CLEANING INSTRUCTIONS**

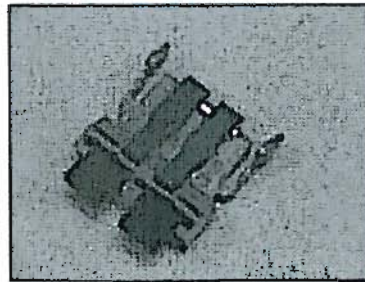


Kit Contents

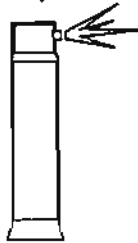
Pick Roller
Qty 2



Pad Assembly
Qty 4



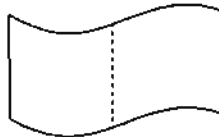
F1 Cleaner
Isopropyl Alcohol
Qty 1



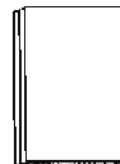
Cotton Swabs
Qty 1 100/pack



Lint Free
Cleaning Cloths
Qty 3 20/pack



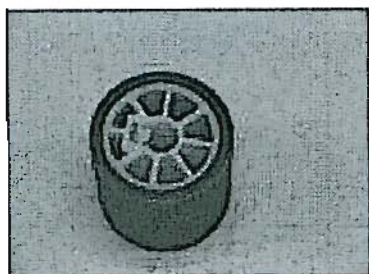
Cleaning Paper
Qty 2 10/pack



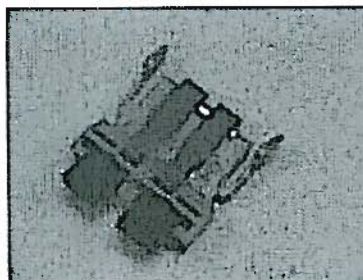
CONSUMABLES LIST

Description	Qty	Life	Fujitsu P/N
Pick Roller	1	200,000	PA03289-0001
Pad Assembly	1	100,000	PA03289-0111

Pick Roller



Pad Assembly



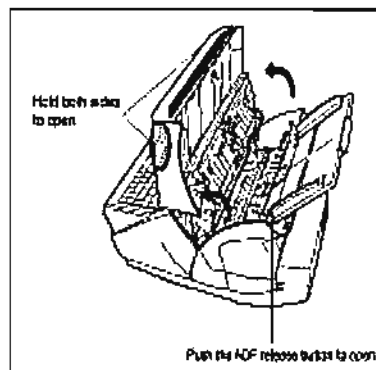
Note:

Replacement Cycles are estimated guidelines established by testing with A4/Letter sized woodfree and wood based 17 lb paper. NCR or Carbonless paper has chemical composition which damages the Pad, and the Pick Roller. Cleaning of the consumables will be required more frequently to avoid feed problems. Consumable life will be reduced if NCR or Carbonless paper is scanned.

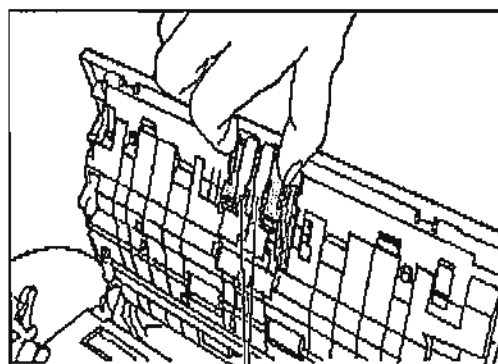
REPLACING THE PAD ASSEMBLY

A defective or improperly installed Pad Assembly can cause misspicks, skew, or double fed documents. To replace the Pad Assembly perform the following steps.

- Remove all documents from the ADF Paper Chute. Open the ADF by pressing the ADF button.

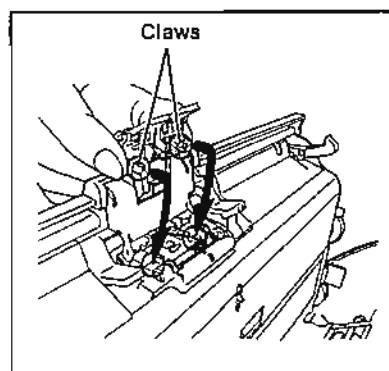


- Remove the Pad Assembly by pressing two knobs on the top of the pad assembly and sliding it up to remove it.



Pick spring

- Attach the new Pad Assembly by pressing the two knobs on the top of the pad assembly and sliding it down into the slots to lock it in place.

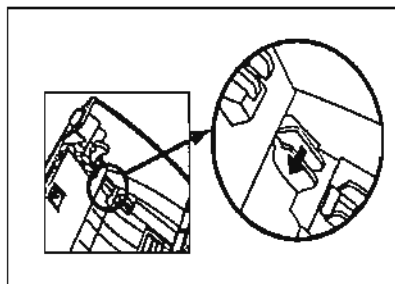


Note:

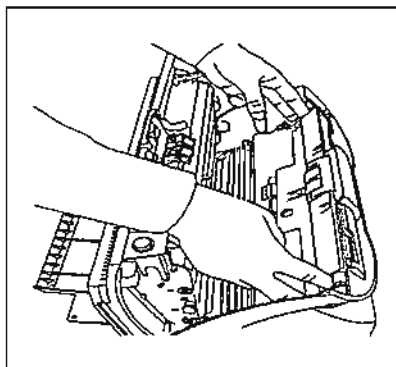
After replacement of any consumable reset the counter for that consumable by following the instructions in your Operator's Guide. These instructions can be found under the "Resetting the Usage Counter" section of the Operator's Guide.

REPLACING THE PICK ROLLER

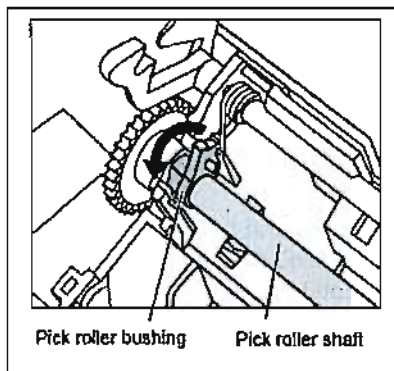
- Remove all documents from the ADF paper chute and remove it from the scanner.



- Open the ADF using the ADF button.

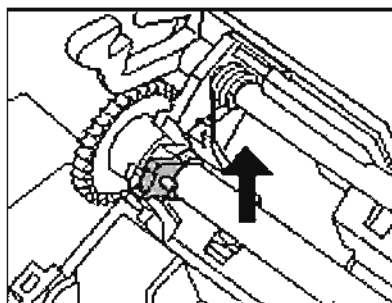


- Pinch the knobs on the sheet guide and lift to remove it from the scanner. Be careful not to let the ADF close with your fingers.

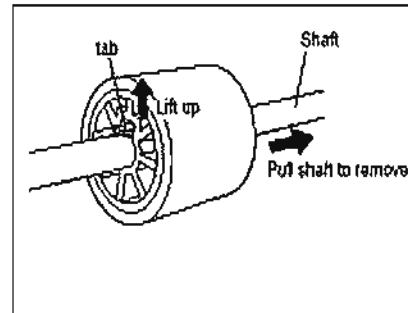


- Rotate the Pick Roller Bushing on the left end of the Pick Roller Shaft in the direction of the arrow so the bushing is pointing up. Be careful not to break the plastic tabs that hold each bushing in place.

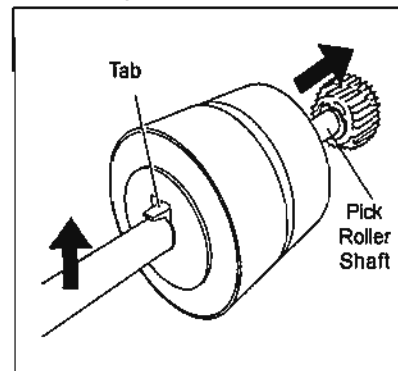
- Lift the Pick Roller shaft being careful not to let the ADF fall closed while your fingers are inside the ADF. The bushing on the right is fixed to the scanner. The bushing on the left is loose and will fall off. Use caution so you don't lose this bushing.



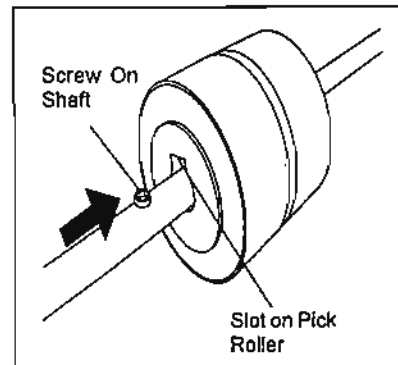
REPLACING THE PICK ROLLER (CONT.)



- Remove the loose bushing from the end of the Pick Roller Shaft. Lift up slightly on the Tab shown and slide the Pick Roller off of the shaft while the assembly is out of the scanner.

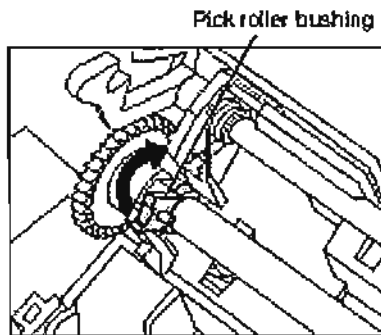


- Attach the new Pick Roller by sliding it on to the shaft. Rotate the Pick Roller to align the screw on the shaft with the slot on the Pick Roller. Be sure the Pick Roller tab clicks and the Pick Roller is locked in place on the shaft.

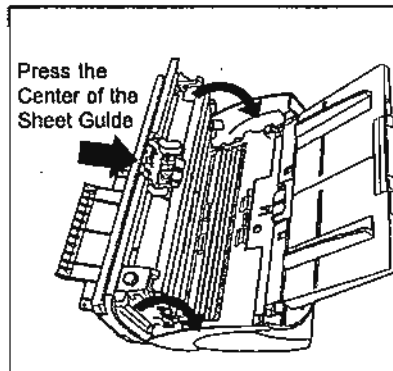


REPLACING THE PICK ROLLER (CONT.)

- Reinstall the Pick Roller Shaft with the new Pick Roller installed in reverse order used to remove the Pick Roller Shaft.



- Be sure to lock the bushings in place on both ends of the shaft. Replace the sheet guide by pressing in the center until the guide snaps in place and is locked.



Note:
Be sure to reset the Pick Counter as shown in the Operator's Guide under Resetting the Usage counter section after replacing the Pick Roller.

CLEANING LOCATIONS AND FREQUENCIES

Pick Roller and Pad	Cleaning Paper	Every 1,000 Sheets
	Cloth & Isopropyl Alcohol	Every 5,000 Sheets
Plastic Feed Rollers	Cloth & Isopropyl Alcohol	Every 5,000 Sheets
Sheet Guides	Cloth & Isopropyl Alcohol	Every 5,000 Sheets
Eject Rollers	Cloth & Isopropyl Alcohol	Every 5,000 Sheets
Feed Rollers	Cloth & Isopropyl Alcohol	Every 5,000 Sheets
Glass Surfaces	Cloth & Isopropyl Alcohol	Every 5,000 Sheets

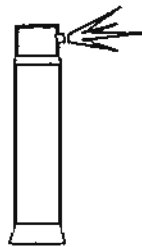
Note:

The scanner will need to be cleaned every day (or possibly more than once a day) if the following paper is scanned.

- Paper with special coating such as carbonless paper.
- Paper with large amount of printing. (Heavy toner or ink)
- Documents with toner that is not fused properly.

CLEANING MATERIALS

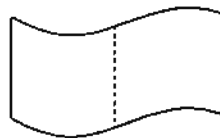
F1 Cleaner
Isopropyl Alcohol



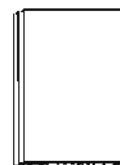
Cotton
Swabs



Lint Free
Cleaning Cloths



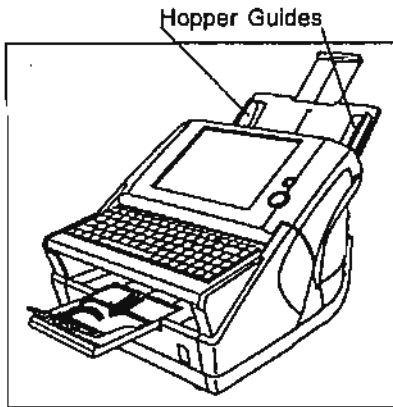
Cleaning Paper



CLEANING THE ROLLERS WITH THE CLEANING PAPER

The cleaning paper are designed to remove only loose paper dust and ink from the rollers. Use the cleaning paper approximately every 1,000 sheets scanned. They are to be used in between the thorough cleanings of the scanner. **Using the cleaning paper does not take the place of the more complete cleanings described later in this section**

- Set the Hopper Guides to the widest width possible.



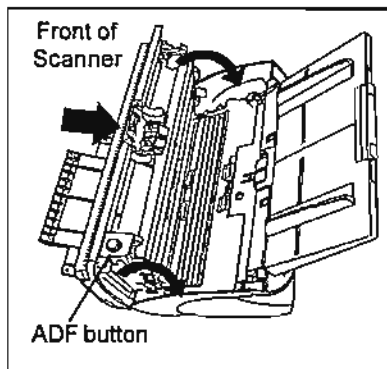
- Spray the Cleaning Paper lightly with F1 Cleaner and place the Cleaning paper against the right edge of the Hopper Guide. Using the Scanning Application scan the cleaning paper. **Do Not Save These Images.** This operation is used only to pass the cleaning paper through the paper feed path. Check the path to see if it needs further cleaning, if you find debris in the paper path perform this cleaning or the **(CLEANING THE ADF WITH LINT-FREE CLOTHS)** in the following steps.
- Place the Cleaning Paper against the Left Hopper Guide and perform the previous step.

CLEANING THE ADF WITH LINT-FREE CLOTHS

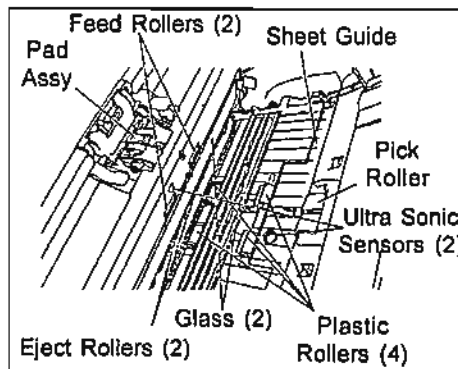
Note:

The glass surface inside the fi-6000NS ADF becomes hot during scanner operation. Before performing this cleaning turn off the scanner and disconnect the AC adapter from the power outlet, wait at least 15 minutes for the scanner to cool.

- Turn Scanner power off.
- Open the ADF cover by pressing the ADF button. Disconnect the AC power plug. Let the scanner cool for at least 15 minutes after operation. This is to prevent burns to your skin as the lamps will heat the surface of the glass in the feed path.

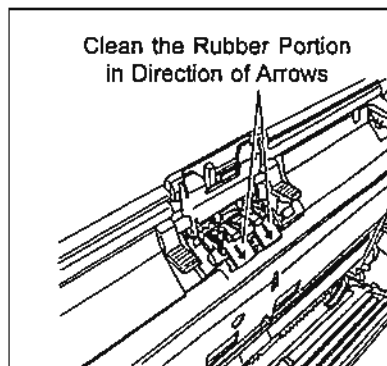


- Use F1 Cleaner (90% or higher Isopropyl Alcohol) on a lint free cloth and clean the areas shown in the drawing to the right. (See following steps to clean properly)



CLEANING THE PAD ASSEMBLY.

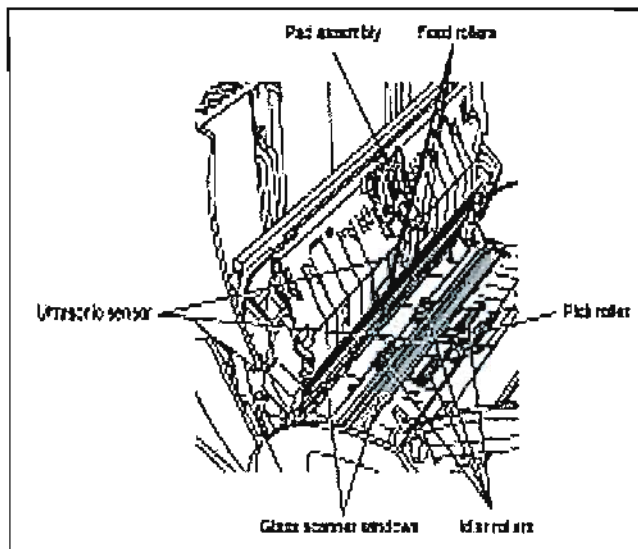
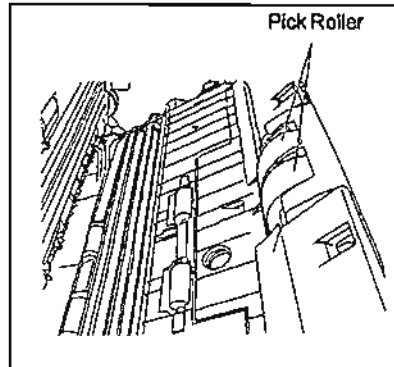
- Clean the Pad Assembly using a downward stroke with the lint free cloth moistened lightly with F1 Cleaner (90% or higher Isopropyl Alcohol).



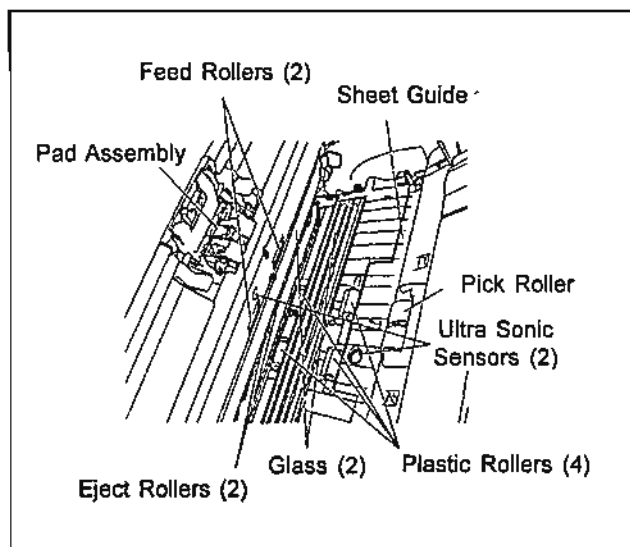
CLEANING THE ADF WITH LINT-FREE CLOTHS (CONT.)

CLEANING THE PICK ROLLER.

- Clean the Pick Roller by wiping it lightly with a lint-free cloth moistened with F1 Cleaner (90 % or higher Isopropyl Alcohol). Wipe lightly being careful not to break away parts of the rubber.



- To clean the Feed Rollers, from the Main Menu Screen Press the Maintenance button. Press the Roller Cleaning button. Open the top cover and press the (c) key to turn the feed rollers for cleaning.
- Perform the above step for each of the Feed Rollers (2) and the Eject Rollers (2). Take care to avoid injury when you come in contact with the rollers as they turn. Some surfaces are hot to the touch so use caution when cleaning these rollers. See the Operators guide under "Cleaning The ADF" for further information.

CLEANING THE ADF WITH LINT-FREE CLOTHS (CONT.)**CLEANING THE PLASTIC ROLLERS**

- Clean the Plastic Rollers lightly with a lint-free cloth moistened with F1 Cleaner (90 % or higher Isopropyl Alcohol). Be careful not to damage the sponge HK rings at each end of the two plastic exit rollers. There are a total of 4 Plastic Rollers to clean.
- Clean the Sheet Guide surface, Glass Surface, wiping them lightly with a lint-free cloth moistened lightly with F1 Cleaner (90 % or higher Isopropyl Alcohol).

Congratulations on the purchase of Fujitsu Imaging Product! Fujitsu Imaging Products are designed to give Fujitsu end users the highest performance and reliability.

Fujitsu Computer Products of America, Inc.
<http://us.fujitsu.com/fcpa>

1255 East Arques Avenue, Sunnyvale, CA. 94085-4701. (800) 626-4686
(408) 746-7000
info@fcpa.fujitsu.com

©2008 Fujitsu Computer Products of America, Inc. All rights reserved. All statements herein are valid only in the U.S. for U.S. residents, are based on normal operating conditions, are provided for informational purposes only and are not intended to create any implied warranty. FCPA reserves the right to change its service offerings and limited warranty at any time without notice. Fujitsu and the Fujitsu logo are registered trademarks and The Possibilities are Infinite is a trademark of Fujitsu Limited. All other trademarks are the property of their respective owners.

Printed In USA.