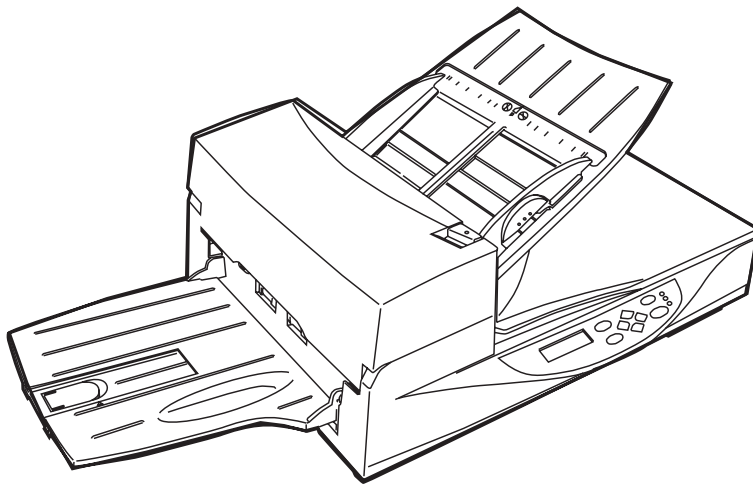
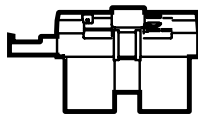


**fi-4340C CONSUMABLE REPLACEMENT
AND CLEANING INSTRUCTIONS**

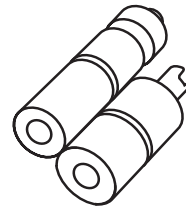


Kit Contents

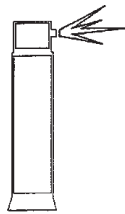
Pad Assembly Qty 3



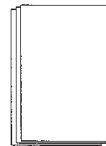
Pick Rollers Qty 2



F1 Cleaner
Isopropyl Alcohol Qty 1



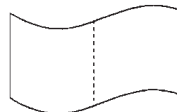
Cleaning Paper
Qty 1 10 / pack



Q-Tips
Qty 1 100 /pack



Lint Free
Cleaning Cloths Qty 2 20 / pack



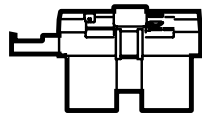
Note: Kit Contents may vary

SCANNER CONUSMABLES LIST

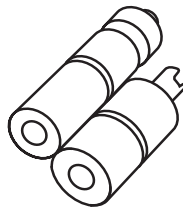
Description	Qty	Life	Fujitsu P/N
Pad Assembly	1	100,000	PA03277-0002
Pick Rollers ¹	2	200,000	PA03277-0001

¹ This single part number includes both Pick Rollers.

Pad Assembly



Pick Rollers



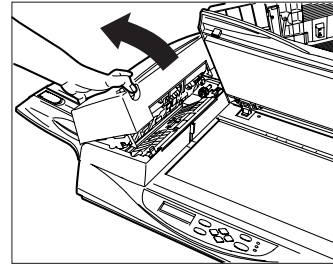
Note:

NCR or Carbonless paper has chemical composition which damages the Pad and Pick Rollers. Cleaning of these items will be needed more frequently to avoid feed problems. Also their life will be reduced if this paper is scanned.

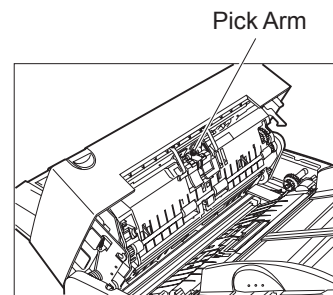
REPLACING THE PAD ASSEMBLY

Multiple feeds can be caused by a worn Pad Assembly. The life span of the Pad Assembly is about 100,000 sheets or 1 year if maintained properly. If NCR or carbonless paper is scanned the life span may be decreased by half.

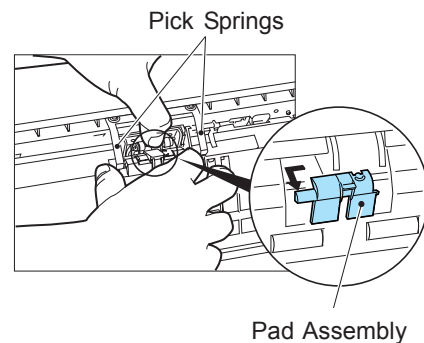
- Pull the ADF Lever to open the ADF.



- Pull the Pick Arm (small plastic rollers) away from the Pad Assembly

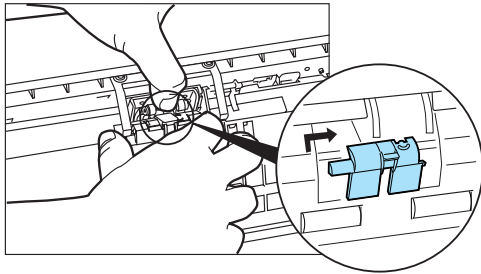


- Hold the Pad Assembly as shown in the drawing to the right and slide it to the left towards the front of the scanner. Then remove without damaging the Pick Springs.

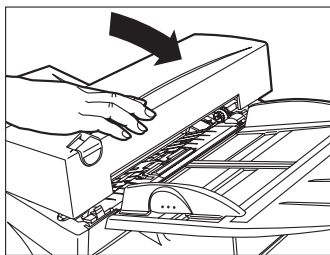


REPLACING THE PAD ASSEMBLY (CONT.)

- Attach the Pad Assembly to the ADF in the reverse sequence.



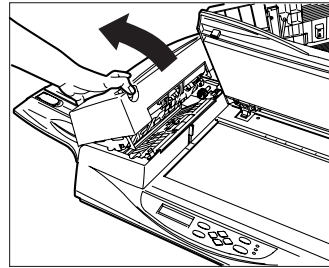
- Close the ADF.



REPLACING THE PICK ROLLERS

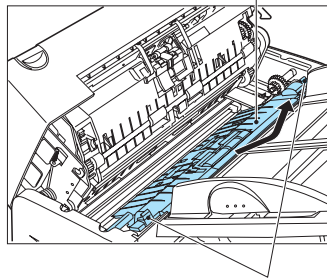
Misfeeds can be caused by worn Pick Rollers. The life span of the Pick Rollers is about 200,000 sheets or 1 year if maintained properly. If NCR or carbonless paper is scanned the life span may be decreased by half.

- Pull the ADF Lever to open the ADF.



- Push down on both Thumb Claws on the Guide A Assembly to unsnap and then lift the assembly out of the ADF.

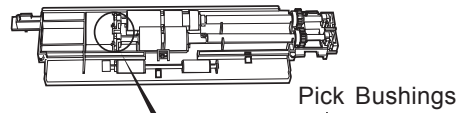
Guide A Assembly



Thumb Claws

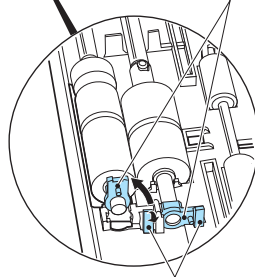
REPLACING THE PICK ROLLERS (CONT.)

- Place the Guide A Assembly upside down and rotate each Pick Bushing (on the side away from the gears) while gently pulling out on the Bushing Clips.



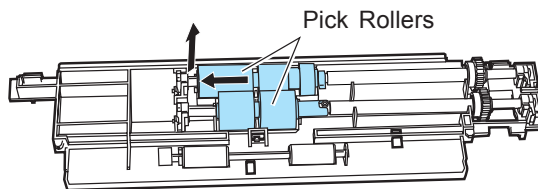
Caution

Be careful when pulling out on the Bushing Clips as to not bend or break them. This will cause paper picking problems.



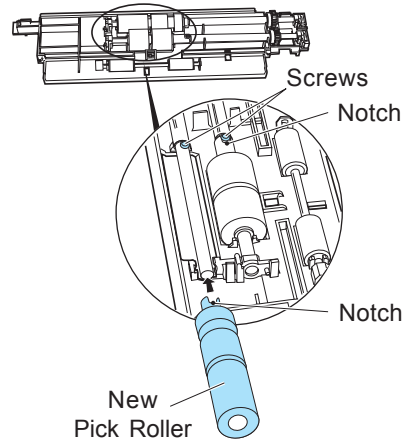
Bushings Clips

- Position the Guide A Assembly as shown below and gently lift up on each Pick Roller shaft. Pull the Pick Busing and Pick Rollers off the shafts.

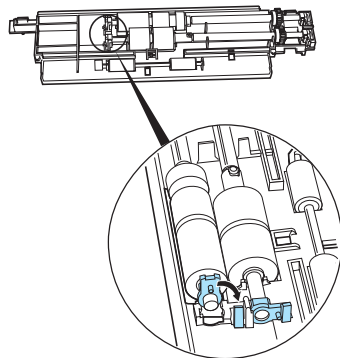
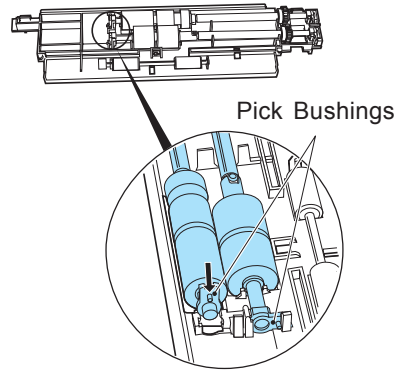


REPLACING THE PICK ROLLERS (CONT.)

- Place the new Pick Rollers on the shaft, making sure to align the notches on the rollers with the screws on the shafts.



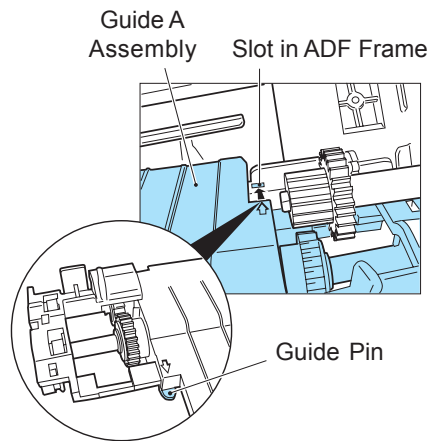
- Place the Pick Bushings on the roller shafts as shown in the drawing on the right and place into the groove of the Guide A Assembly.



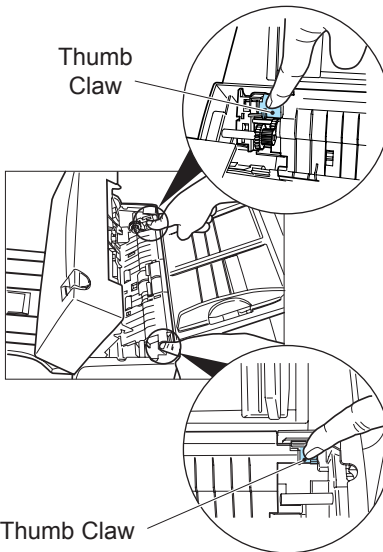
- Rotate the Pick Bushings and lock them in place under the Bushing Clips.

REPLACING THE PICK ROLLERS (CONT.)

- Reinstall the Guide A Assembly by placing the opening on the right of the guide under the gear at the rear of the ADF. Align the guide pin on the Guide A Assembly with the slot in the ADF Frame



- Once the Guide A Assembly is placed properly in the ADF, press down on the Thumb Claws until they snap into place.



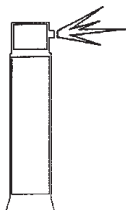
- Close the ADF.

CLEANING LOCATIONS AND FREQUENCIES

LOCATION	TOOLS	FREQUENCY
Flatbed Area	Cloth & F1 Cleaner	Whenever Dirty
Pad	Cloth with F1 Cleaner	Every 5,000 Pages
Pick Rollers	Cloth with F1 Cleaner	Every 5,000 Pages
Feed Rollers	Cloth with F1 Cleaner	Every 5,000 Pages
Plastic Rollers	Cotton Swab with F1 Cleaner	Every 5,000 Pages
ADF Glass	Cloth with F1 Cleaner	Every 5,000 Pages
Sheet Guide	Cloth with F1 Cleaner	Every 5,000 Pages
Pick Arm Rollers	Cotton Swab with F1 Cleaner	Every 5,000 Pages

CLEANING MATERIALS

F1 Cleaner
Isopropyl Alcohol



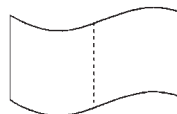
Cleaning Paper



Q-Tips

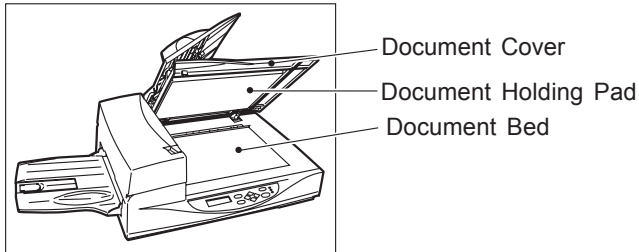


Lint Free
Cleaning Cloths

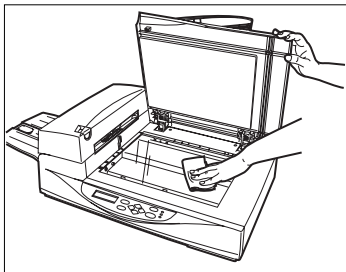


CLEANING THE FLATBED

A dirty Document Bed or Holding Pad can cause repetitive spots, marks or unclear areas when scanning from the Flatbed.



- Open the Document Cover.
- Apply F1 Cleaner or isopropyl alcohol to a clean, lint free cloth.
- Wipe the Document Holding Pad and Document Bed.
- Allow to dry.



Note:

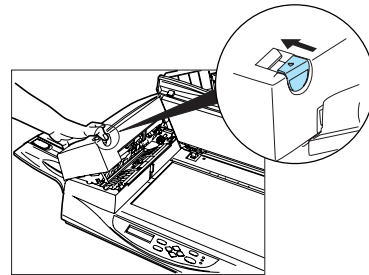
Window or glass cleaner can be used instead of F1 Cleaner or isopropyl alcohol.

Be sure to prevent liquid from seeping through the opening between the document bed and the plastic cover.

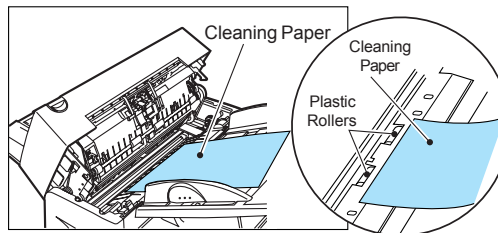
CLEANING THE ADF WITH THE CLEANING PAPER

The Cleaning Paper is designed to remove only loose paper dust and ink from the rollers. Use them every **5,000** pages scanned, between the thorough cleanings of the scanner. **The Cleaning Paper does not take the place of manual cleaning described later in this section.**

- Pull the ADF Lever to open the ADF.

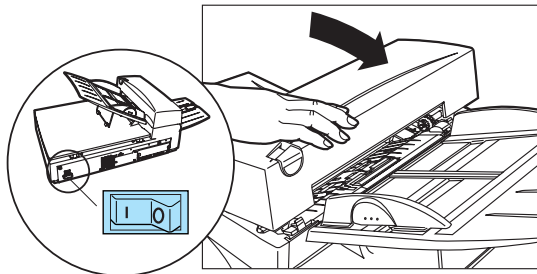


- Apply F1 Cleaner or isopropyl alcohol to both sides of a new sheet of Cleaning Paper.
- Place the Cleaning Paper on the ADF so that the edge of the sheet touches the Plastic Rollers.



CLEANING THE ADF WITH THE CLEANING PAPER (CONT.)

- Close the ADF and turn the scanner ON. The Cleaning Paper will be fed through the scanner.



- Turn the scanner OFF.
- Flip the Cleaning Paper over and repeat the steps above.

Note:

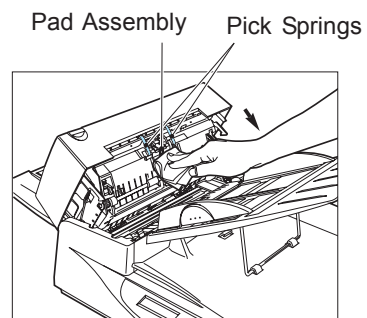
The cleaning paper only removes loose paper particles and toner. They are not a substitute for doing a thorough cleaning to the ADF.

CLEANING THE ADF

CLEANING THE PAD ASSEMBLY

A dirty Pad Assembly can cause multiple feeds and misfeeds.

- In a downward direction, wipe the Pad Assembly with a cloth and F1 Cleaner or isopropyl alcohol.



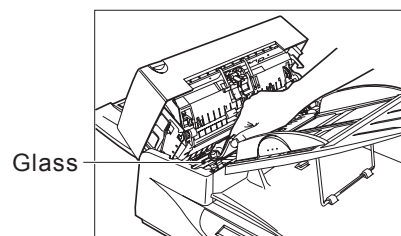
Note:

Be careful not to damage the Pick Springs when wiping.

CLEANING THE ADF GLASS

A dirty ADF Glass can cause vertical streaks on the front side scanned image.

- Wipe the Glass lightly with a dry cloth or a cloth with F1 Cleaner or isopropyl alcohol.

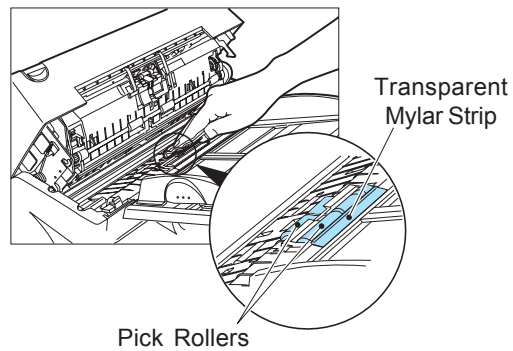


CLEANING THE ADF (CONT.)

CLEANING THE PICK ROLLERS

Dirty Pick Rollers can cause misfeeds. If the scanner intermittently has trouble picking the paper from the Paper Chute, the LCD will display the “**Clean Pickroller**” message.

- Wipe the Pick Rollers with a cloth and F1 Cleaner or isopropyl alcohol in a horizontal motion.



Note:

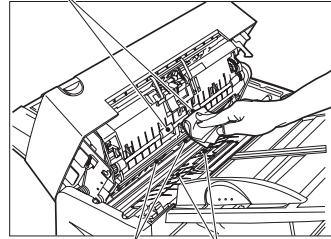
Be careful not to damage the surface of the sponge rollers or the transparent mylar strip above the Pick Rollers.

CLEANING THE ADF (CONT.)**CLEANING THE FEED ROLLERS & PLASTIC ROLLERS**

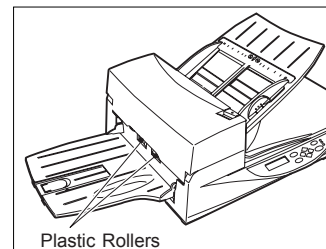
Dirty Feed Rollers and Plastic Rollers can cause paper jams, paper slippage, and skewing.

- Use a cloth or a cloth moistened with F1 Cleaner or isopropyl alcohol and wipe the Feed and Plastic Rollers in a horizontal motion.

Feed Rollers



Feed Rollers Plastic Rollers



Plastic Rollers

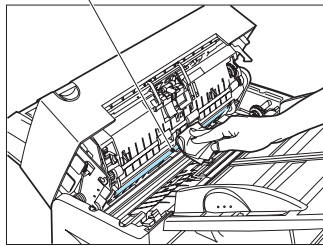
CLEANING THE ADF (CONT.)

CLEANING THE SHEET GUIDE (WHITE AREA)

A dirty Sheet Guide can cause vertical streaks on the front side scanned image.

- Wipe the Sheet Guide with a dry cloth. If dried ink is on the Sheet Guide, remove with F1 Cleaner or isopropyl alcohol.

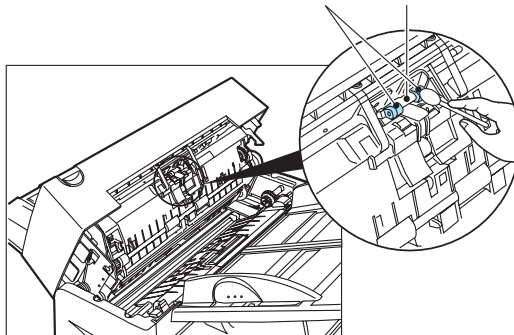
Sheet Guide (White Area)



CLEANING THE PICK ARM ROLLERS

- Moisten a cotton swab or cloth with F1 Cleaner, isopropyl alcohol.
- Wipe the small plastic rollers on the tip of the Pick Arm.

Plastic Rollers Pick Arm



- Close the ADF.

