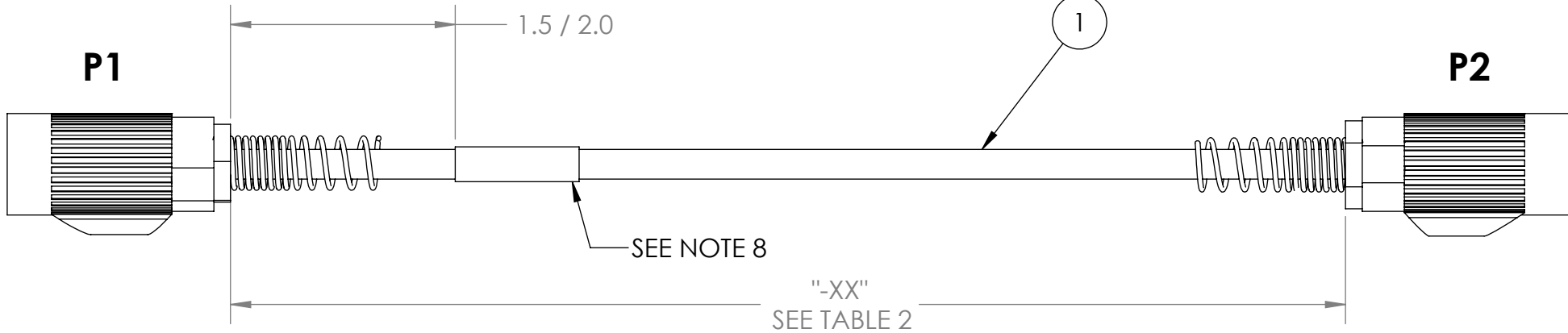
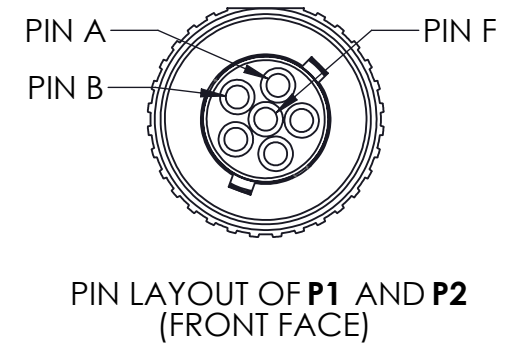
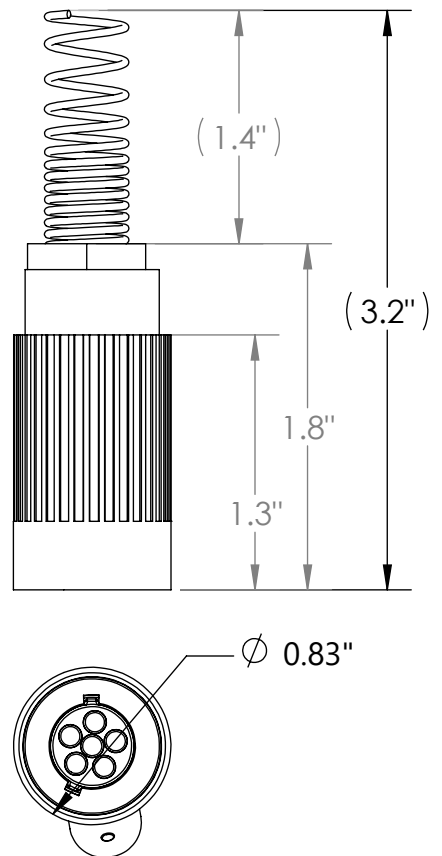


TABLE 1: WIRING		
ITEM 1 (6 C CABLE)		
FROM (P1)	TO (P2)	WIRE COLOR
A	A	BLACK
B	B	RED
C	C	BROWN
D	D	BLUE
E	E	GREEN
F	F	WHITE
CHASSIS GROUND	SHELL	CHASSIS GROUND

TABLE 2: WIRE LENGTH		
"-XX"	"XX" DIMENSION (FT.)	TOLERANCE (INCHES)
-1	1	+1.0", -0.0"
-02	2	+2.0", -0.0"
-03	3	+4.0", -0.0"
-04	4	+6.0", -0.0"
-05	5	+6.0", -0.0"
-06	6	+8.0", -0.0"
-08	8	+8.0", -0.0"
-10	10	+8.0", -0.0"
-12	12	+10.0", -0.0"
-18	18	+10.0", -0.0"
-20	20	+10.0", -0.0"
-25	25	+10.0", -0.0"
-30	30	+12.0", -0.0"

REV	DATE	DESCRIPTION OF CHANGE	ENG
A	8/11/20	INITIAL REV.	TC



**NOTES:**

- CABLES: ITEM 1:22 AWG, 6 CONDUCTOR,OD: 0.230 NOMINAL. POLYURETHANE INSULATION. OUTER SHIELD 38 AWG, TIN PLATED COPPER BRAID, 90% COVERAGE.
- OVERMOLD MATERIAL: 90A POLYETHER-TYPE THERMOPLASTIC POLYURETHANE (TPU).
- JACKET: BLACK MATTE FINISH.
- E33,E34 IS CHASSIS GROUND
- SOLDERING IAW IPC-J-STD-001CLASS II AS APPLICABLE.
- CABLE ASSEMBLIES TO BE 100% TESTED FOR CONTINUITY AND SHORTS.
- ALL WIRED PINS TO BE TESTED 100% FOR INSULATION RESISTANCE. (150VDC @ 100MOHM MINIMUM) EXCLUDE CHASSIS GROUND FROM THIS TEST.
- IDENTIFICATION: IDENTIFY ON PART THE FOLLOWING INFORMATION FOR EACH PART DELIVERED. UOS PART MARKING ON THE WIRE IS PROHIBITED:  
**PN: SN-909LP-XX REV X** (REV X AND -XX MARKING PER PO)  
**CAGE CODE: 1HJX9**  
**DATE OF MFGR: MM/YY** (MM = MONTH MANUFACTURED, YY = LAST TWO DIGITS OF YEAR MANUFACTURED)
- USE ADHESIVE LABEL, WHITE WITH BLACK FONT.
- WIRING FUNCTION AND PIN LOCATION: SEE TABLE 1.
- MANUFACTURE AND INSPECT IAW IPC/WHMA A-620 CLASS 2.
- COVER SOLDERED CONNECTIONS WITH SHRINK TUBING.
- FILL SOLDERED CAVITIES WITH ITEM 3, CURE PER MANUFACTURES INSTRUCTIONS.

BILL OF MATERIALS				
ITEM NO.	PART NUMBER	QTY	NAME	COMMENTS
1	51395	-XX (See Table 2)	CABLE	6C CABLE
2	PCI-126-LP-702	2	CONNECTOR	6 PIN
3	DP-100	AR	EPOXY	

UNLESS OTHERWISE SPECIFIED:  
 DIMENSIONS ARE IN: INCHES  
 TOLERANCES: .XX: ± 0.03  
 .XXX: ± 0.005  
 ANGULAR: .X°: 1°  
 .XX°: 0.5°  
 BREAK EDGES: .005 - .020  
 FILLETS: .005 - .020  
 SURFACE FINISH:  
 GEOMETRIC TOLERANCING PER: ASME Y14.5-2009  
 MATERIAL: SEE DRAWING NOTES  
 FINISH: SEE DRAWING NOTES  
 DO NOT SCALE DRAWING

NAME	DATE
DRAWN: TC	03/02/15
CHECKED: RJB	03/02/15
COMMENTS:	

REF. NUMBER: SN0048

**SupplyNet** 706 EXECUTIVE BLVD. SUITE B VALLEY COTTAGE, NY 10989

TITLE: **6 PIN CRYPTO CABLE, PCI-126-LP-702 TO PCI-126-LP-702**

SIZE <b>B</b>	DWG. NO. <b>SN-909LP-XX</b>	REV <b>A</b>
---------------	-----------------------------	--------------

SCALE: NA WEIGHT: SHEET 1 OF 1