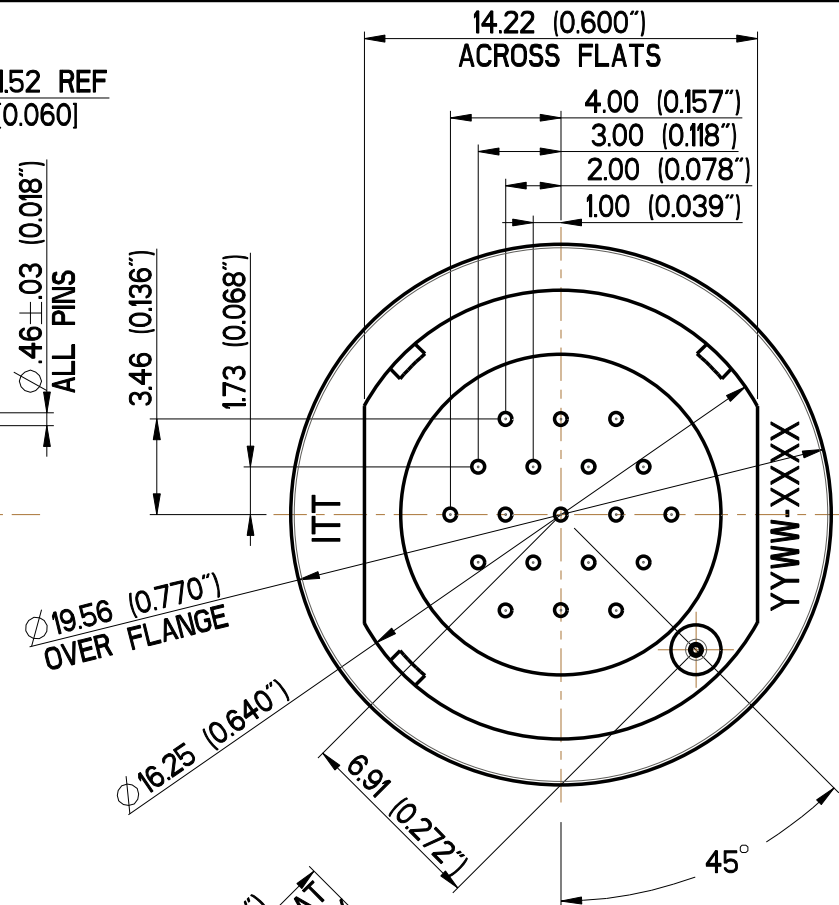
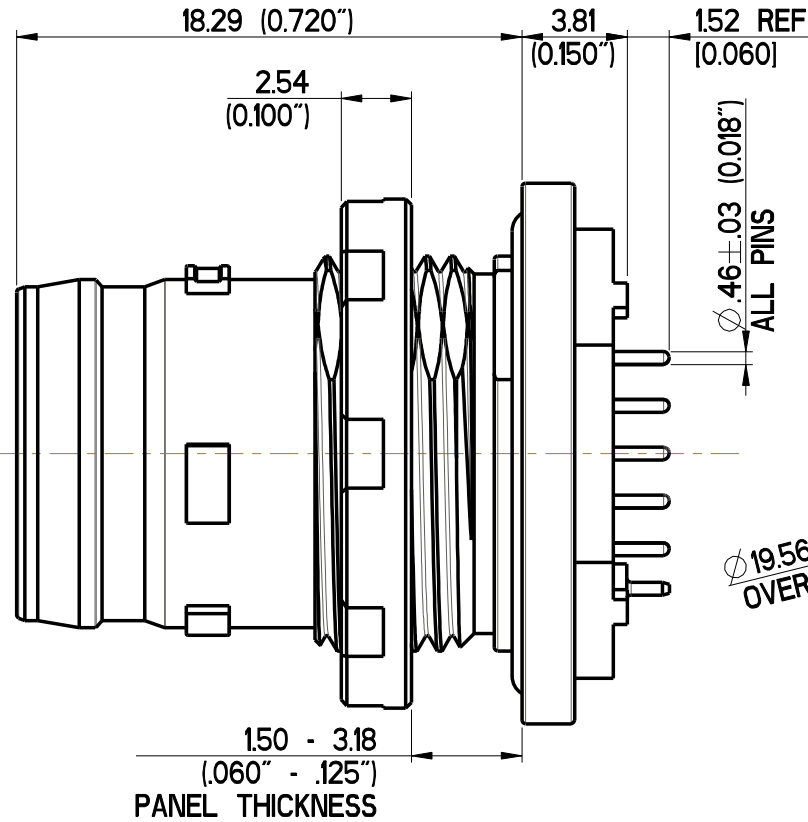
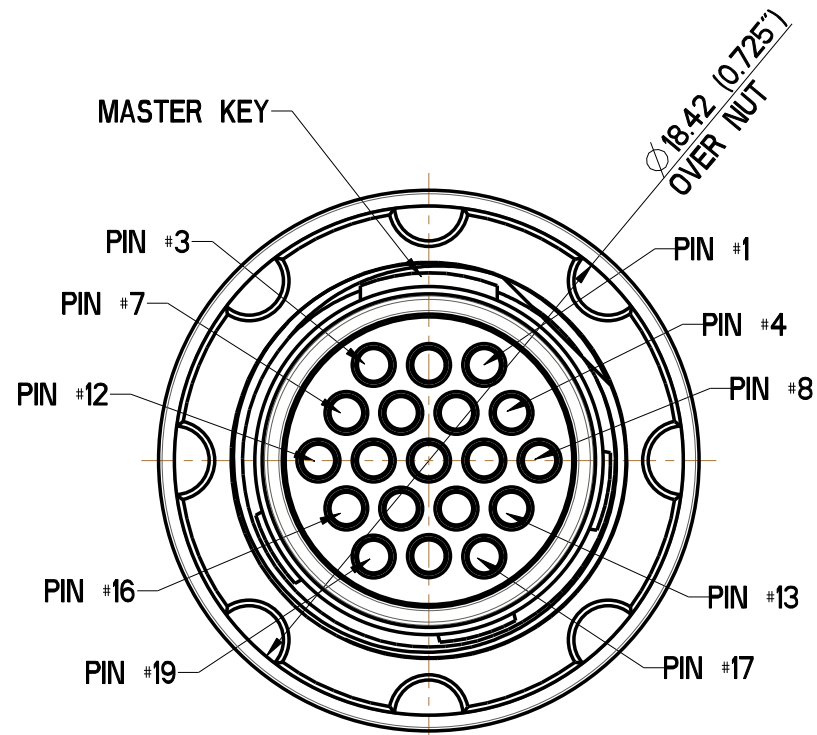
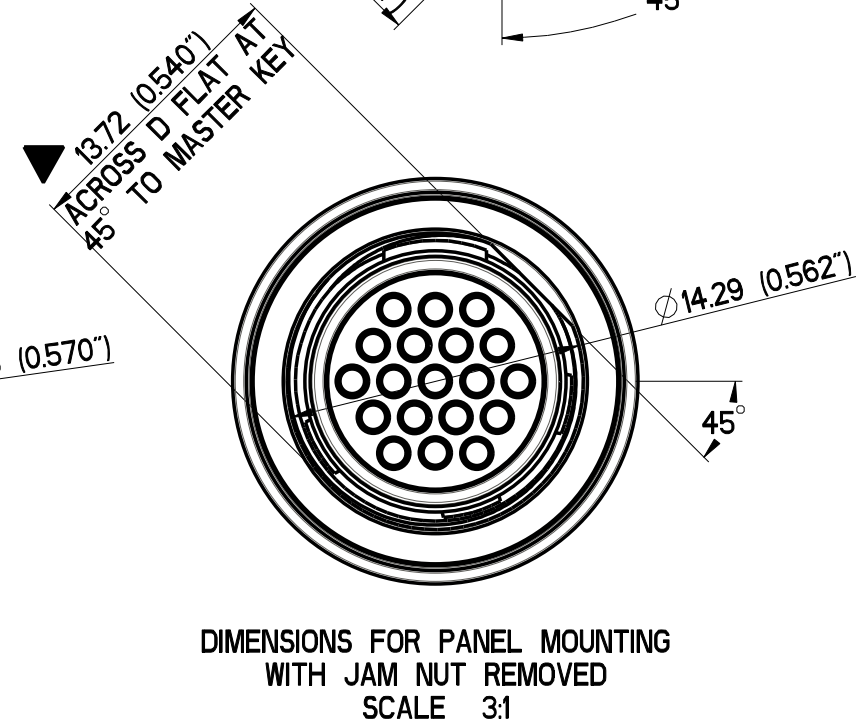
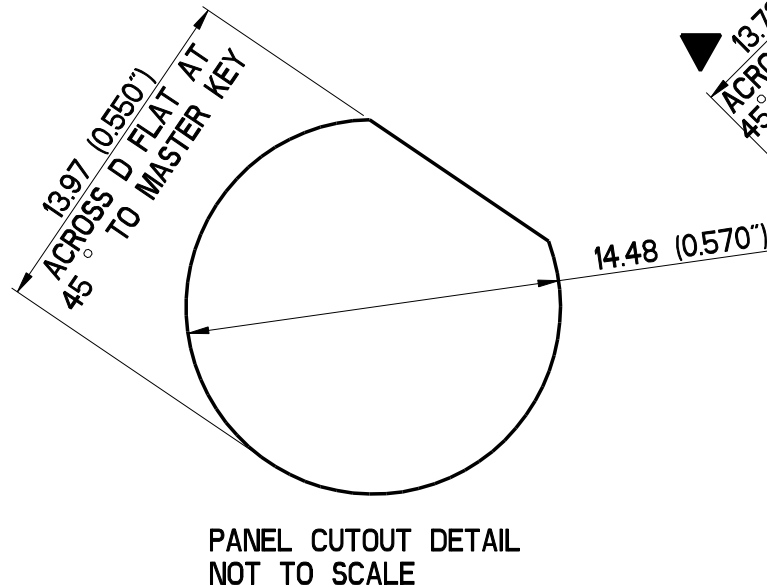


THIS DOCUMENT IS COMMERCIAL AND NOT SUBJECT TO EXPORT CONTROL.



NOTE

1. DIMENSIONS ARE NOMINAL UNLESS STATED OTHERWISE.
2. MATERIALS / FINISH :
 BODY PARTS ST. STEEL BLACK ELECTROLESS NICKEL
 INSULATORS HIGH TEMPERATURE THERMOPLASTIC.
 CONTACTS COPPER ALLOY GOLD.
 O RING FLUOROSILICONE RUBBER
3. FOR KEYING OPTIONS SEE SHEET 2
4. TO SUIT 0.062" THICK PCB.
5. ELECTRICAL RATING 50 VDC, 2A CONTINUOUS, 3A PEAK (LIMITED BY MATING HALF).
 IR > 5000 Mohms (> 1000 Mohm after immersion) 100 vdc
 DWV > 500v
6. OPERATING TEMPERATURE -55°C TO +125°C
7. NOMENCLATURE NEMHMDC719PPNT-B2-002
8. RECEPTACLE SUITABLE FOR TERMINATION TO STANDARD (NEMHMSB) AND DUAL COUPLING (NEM_DC) PLUGS.
9. CONNECTOR SUITABLE FOR IP68 IMMERSION, 20m FOR 2 HOURS.
10. ▼ DENOTES CRITICAL INSPECTION FEATURE.



DIMENSIONS FOR PANEL MOUNTING WITH JAM NUT REMOVED SCALE 3:1

A	SA-000319185. UPDATED TO ADD CONNECTOR MARKING	PJ	8-Aug-17	MSF	8-Aug-17
	INITIAL RELEASE	PJ	27-Jun-17	HT	17-Jul-17
1	PRELIMINARY RELEASE	PJ	27-Apr-17		
REV	ECR DETAILS	DRAWN	DATE	CHK'd	DATE

 JAYS CLOSE, VIABLES INDUSTRIAL ESTATE, BASINGSTOKE UK. RG22 4BA.	DO NOT SCALE / IF IN DOUBT, ASK	
	LINEAR TOLERANCES X = ±0.4 X.X = ±0.2 X.XX = ±0.1	GENERAL UNLESS OTHERWISE STATED REMOVE BURRS AND BREAK SHARP EDGES MAX.
	ANGULAR TOLERANCES X = ±2° X.X = ±0.5°	SURFACE FINISH: ✓
	ALL DIMENSIONS ARE IN "mm" UNLESS STATED	

MATERIAL	THIRD ANGLE PROJECTION
FINISH	ROC
TREATMENT	
CofG (x)	CofG (y)
0.000	0.000
CofG (z)	VOL
0.000	()
SA.	MASS
()	0.000mg (0.000drams)

PART No. 078426-0000	TYPE : CU	CAGE CODE : 71468
RECEPTACLE ASSY 20M EXTENDED, 19 WAY		
CU-076398Y0000		
Ref	SHEET 1 of 2	SCALE 4:1

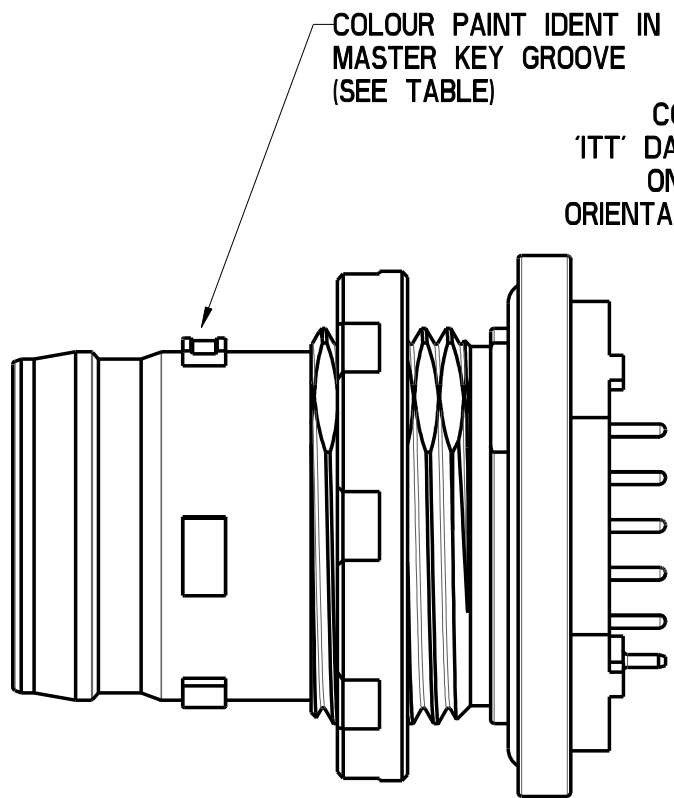
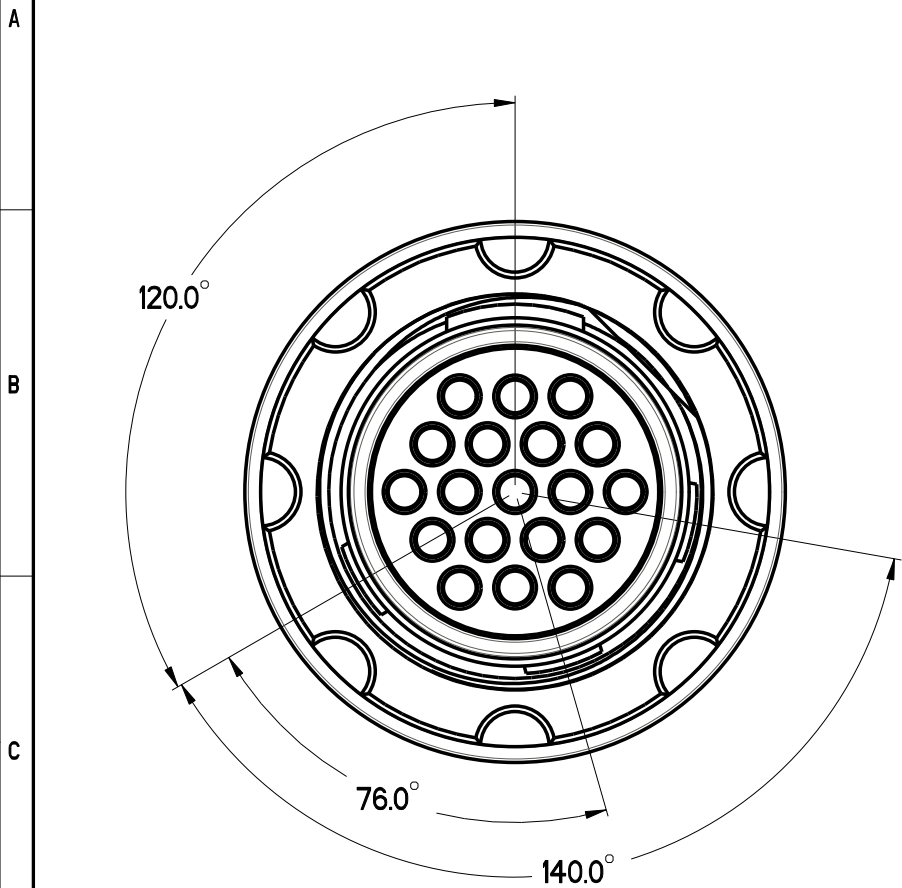
This is issued in strict confidence on condition that it is not used as a basis for manufacture or sale and that it is not copied printed or disclosed to a third party either wholly or in part without the prior written consent of ITT Corporation © 17-Jul-15 All rights reserved.

EXPORT CODE C

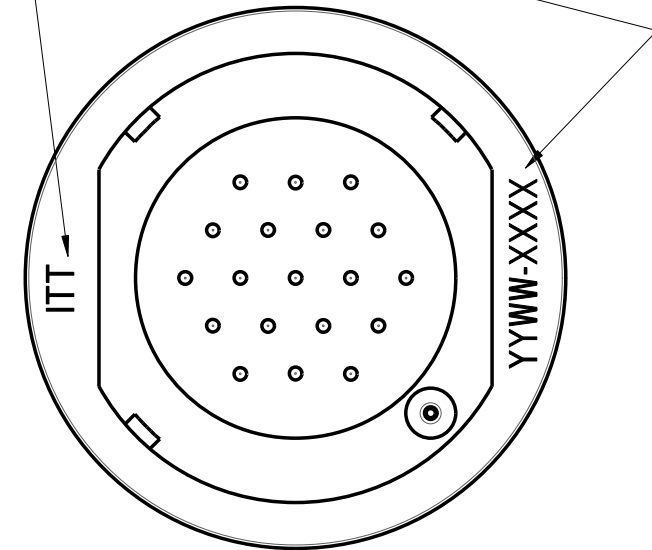
This document contains technical data that is subject to export controls under the Export Administration Act and Export Administration Regulations (15 CFR 730, et seq.). Any transfer of this data to non-US persons or to any location outside the United States must be in compliance with the Export Administration Regulations.

THIS DOCUMENT IS COMMERCIAL AND NOT SUBJECT TO EXPORT CONTROL.

2-4-08 Rev K



CONNECTOR MARKING
'ITT' DATE AND LOT CODE
ON THESE SURFACES.
ORIENTATION NOT CRITICAL.



▼ SEE NOTE 10.

DESCRIPTION	ITT PART NUMBER	CODE REF	∠ P	COLOUR
NEMHMDC719PPNT-B2-002	078426-0000	N	120°	D. BLUE
NEMHMDC719PPAT-B2-002	078426-0001	A	132°	RED
NEMHMDC719PPBT-B2-002	078426-0002	B	108°	GREEN
NEMHMDC719PPCT-B2-002	078426-0003	C	96°	GREY
NEMHMDC719PPDT-B2-002	078426-0004	D	84°	YELLOW

SEE SHEET 1 FOR REVISIONS

1	PRELIMINARY RELEASE	PJ	27-Apr-17		
REV	ECR DETAILS	DRAWN	DATE	CHK'd	DATE



DO NOT SCALE / IF IN DOUBT, ASK.

LINEAR TOLERANCES
X = ±0.4
X.X = ±0.2
X.XX = ±0.1

ANGULAR TOLERANCES
X = ±2°
X.X = ±0.5°

GENERAL
UNLESS OTHERWISE STATED REMOVE BURRS AND BREAK SHARP EDGES MAX.

SURFACE FINISH ✓

ALL DIMENSIONS ARE IN "mm" UNLESS STATED

MATERIAL

FINISH

TREATMENT

THIRD ANGLE PROJECTION

NTC : Not RoHS Compliant
ROC : RoHS Compliant low temp
ROH : RoHS Compliant high temp (260°C)

COF G (x) 0.000 COF G (y) 0.000 COF G (z) 0.000 VOL ()

SA. () MASS 0.000mg (0.000drams)

PART No. TYPE : CAGE CODE :

RECEPTACLE ASSY
20M EXTENDED, 19 WAY

CU-076398Y0000

Ref SHEET 2 of 2 SCALE 4:1

This is issued in strict confidence on condition that it is not used as a basis for manufacture or sale and that it is not copied printed or disclosed to a third party either wholly or in part without the prior written consent of ITT Corporation © 27-Apr-17 All rights reserved.

EXPORT CODE C

This document contains technical data that is subject to export controls under the Export Administration Act and Export Administration Regulations (15 CFR 730, et seq.). Any transfer of this data to non-US persons or to any location outside the United States must be in compliance with the Export Administration Regulations.