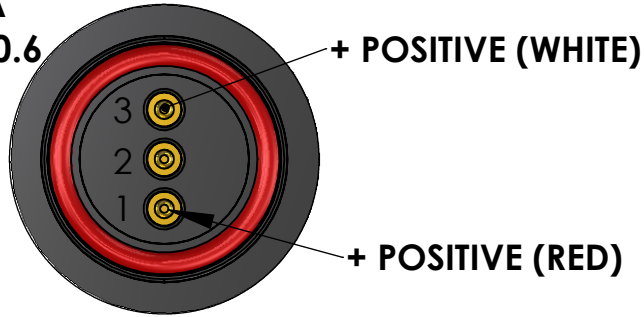


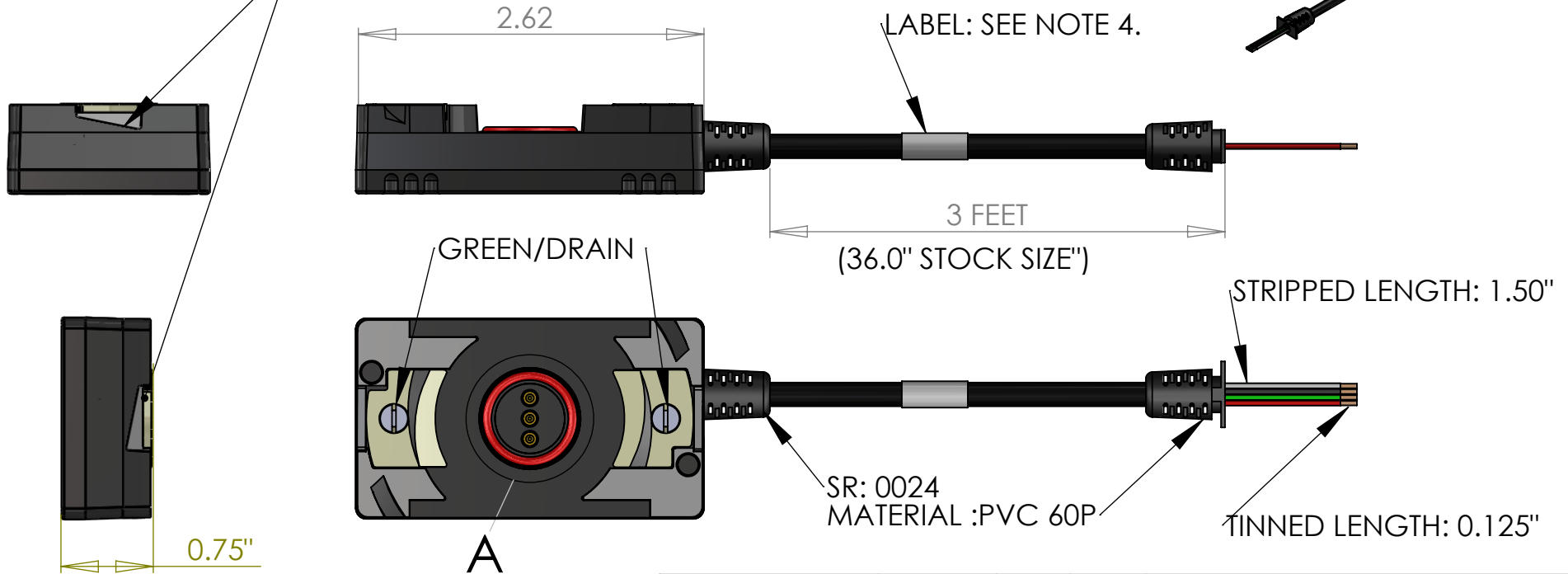
**DETAIL A**  
SCALE 1 : 0.6



BRIDGED

BATTERY CONN.	COLORS
+	RED
+	WHITE
-	GREEN
-	DRAIN

SLOT FOR PRC-152 LOCKING LATCH



NOTES:

- 1) 22 AWG\*3C +DRAIN W/ALUMINUM FOIL
- 2) PVC STRAIGHT BLACK MATT. OD 0.20".
- 3) WIRES USED LISTED IN WIRING CHART (NOTE ALL WIRES MIGHT NOT BE USED.)
- 4) LABEL:  
**PN: CONN-PRC152 REV. "X" (REV AS PER PO)**  
**CAGE CODE: 1HJX9**  
**MFD: MM/YY**
- 5) REF. SN0321

UNLESS OTHERWISE SPECIFIED:		NAME	DATE	<b>SupplyNet</b> 706 EXECUTIVE BLVD. SUITE B VALLEY COTTAGE, NY 10989
DIMENSIONS ARE IN: INCHES		TC	09/18/14	
TOLERANCES: .XX: ± .1 .XXX: ± .05		CHECKED	RB	TITLE:
ANGULAR: .X°: .XX°:		COMMENTS:		AN/PRC-148/152 BATTERY ADAPTER CABLE
INTERPRET GEOMETRIC TOLERANCING PER:		PROPRIETARY AND CONFIDENTIAL		SIZE <b>A</b>
MATERIAL NYLON 66 30GF		THE INFORMATION CONTAINED IN THIS DRAWING IS THE SOLE PROPERTY OF SUPPLYNET, INC. ANY REPRODUCTION IN PART OR AS A WHOLE WITHOUT THE WRITTEN PERMISSION OF SUPPLYNET, INC IS PROHIBITED.		DWG. NO. CONN-PRC152
FINISH				REV <b>E</b>
DO NOT SCALE DRAWING		SCALE: 1:2		WEIGHT:
				SHEET 1 OF 1