

TABLE 1. WIRE RUN LIST		
P1 (ITEM 1)	COLOR	P2 (ITEM 2)
1	RED	1
2	BLACK	2
3	GREEN	3
4	WHITE	4
5	BROWN	5
6	ORANGE	6
SHELL	SHIELD	SHELL

REV	DATE	DESCRIPTION OF CHANGE	ENG
B	07/10/16	CHANGED WIRE COLORS & 7C WIRE	TC

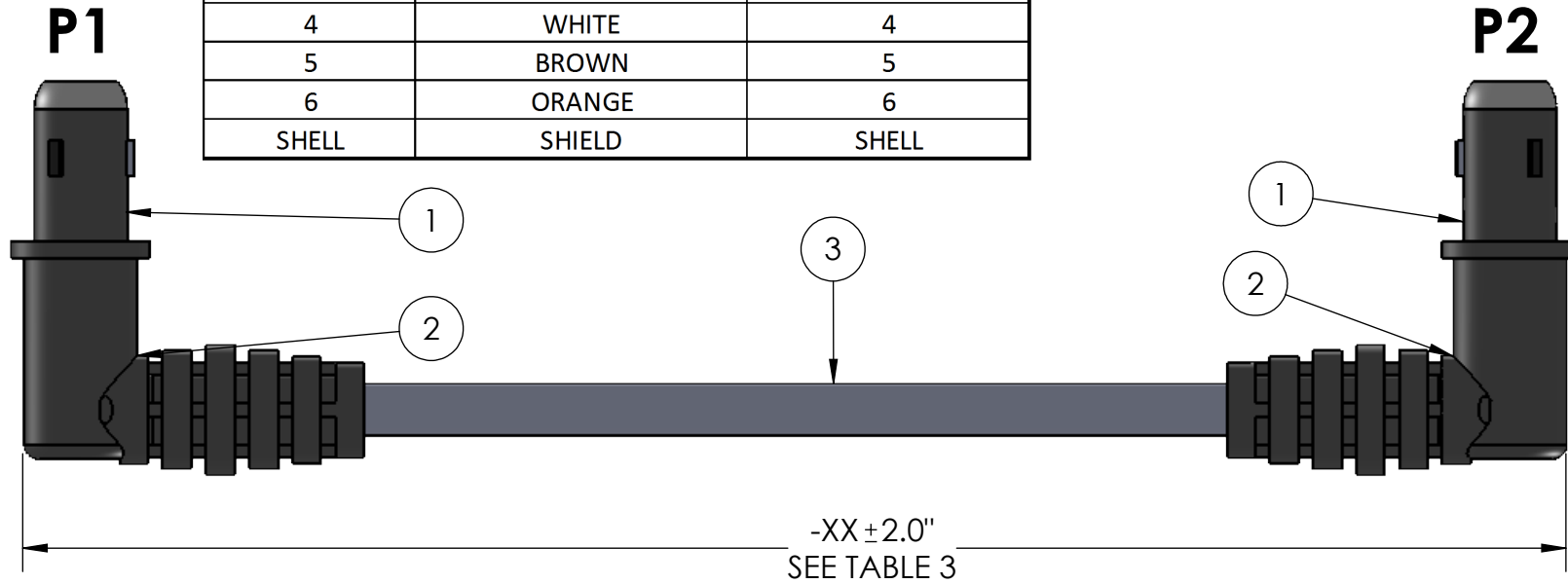
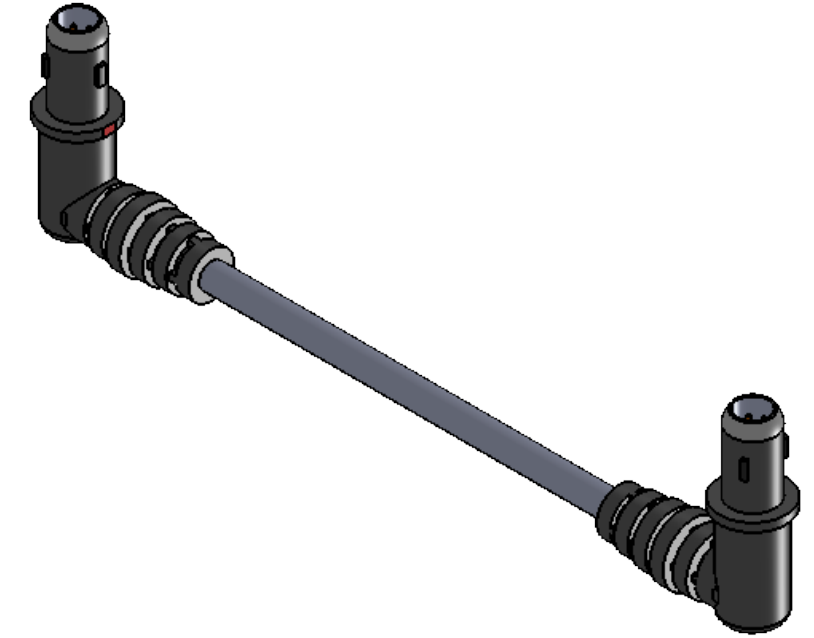


TABLE 3	
PART NUMBER & PART MARKING	"L" DIMENSION (INCHES)
SN-1080-CC-03	36
SN-1080-CC-06	72
SN-1080-CC-08	96
SN-1080-CC-10	120
SN-1080-CC-12	144
SN-1080-CC-18	216
SN-1080-CC-20	240
SN-1080-CC-25	300
SN-1080-CC-30	360



# SN-1080-CC-XX

ORIENTATION (SEE TABLE 2)

LENGTH (SEE TABLE 3)

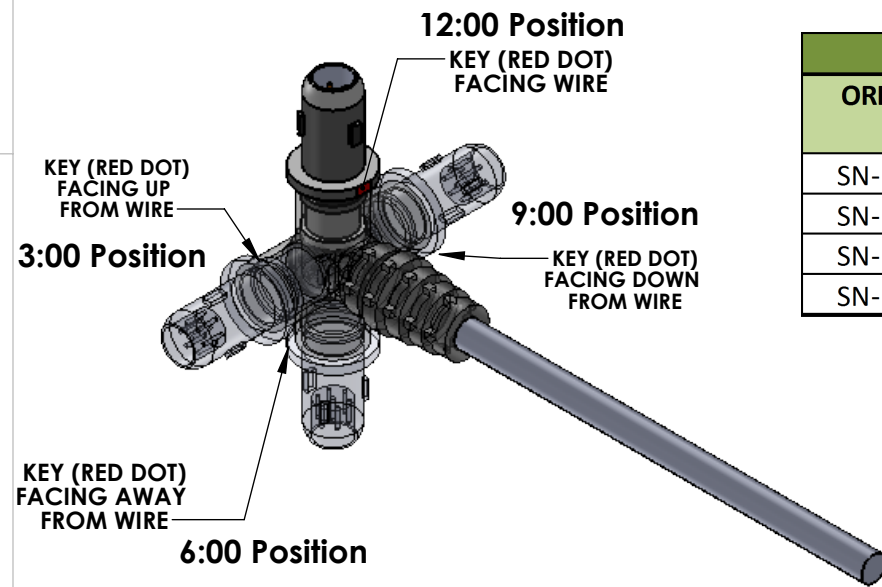
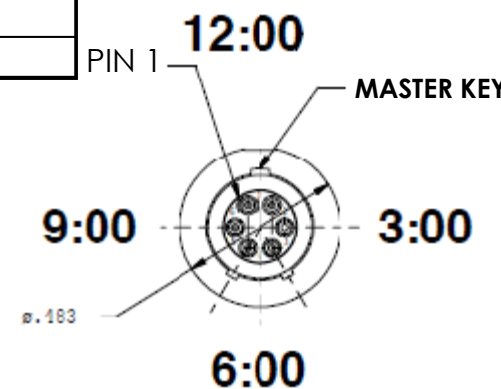


TABLE 2	
ORIENTATION (CC)	RIGHT ANGLE POSITION
SN-1080-12-XX	12:00 POS.
SN-1080-03-XX	3:00 POS.
SN-1080-06-XX	6:00 POS.
SN-1080-09-XX	9:00 POS.



BILL OF MATERIALS				
ITEM NO.	PART NUMBER	QTY	NAME	COMMENTS
1	807-309-06ZNU6-6PY	1	CONNECTOR	GLENAIR CONNECTOR
2	TBD	1	RIGHT ANGLE OVERMOLD	
3	880007S7	25"	7 CONDUCTOR WIRE	

UNLESS OTHERWISE SPECIFIED:  
 DIMENSIONS ARE IN: INCHES  
 TOLERANCES: .XX: ± 0.03  
 .XXX: ± 0.005  
 ANGULAR: .X°: 1°  
 .XX°: 0.5°  
 BREAK EDGES: .005 - .020  
 FILLETS: .005 - .020  
 SURFACE FINISH:  
 GEOMETRIC TOLERANCING PER: ASME Y14.5 -2009  
 MATERIAL: SEE DRAWING NOTES  
 FINISH: SEE DRAWING NOTES  
 DO NOT SCALE DRAWING

NAME	DATE
DRAWN TC	08/10/16
CHECKED RJB	08/10/16
COMMENTS:	

**PROPRIETARY AND CONFIDENTIAL**  
 THE INFORMATION CONTAINED IN THIS DRAWING IS THE SOLE PROPERTY OF SUPPLYNET, INC. ANY REPRODUCTION IN PART OR AS A WHOLE WITHOUT THE WRITTEN PERMISSION OF SUPPLYNET INC. IS PROHIBITED.

REF. NUMBER: SN0437  
**SupplyNet** 706 EXECUTIVE BLVD. SUITE B VALLEY COTTAGE, NY 10989  
 TITLE: MALE TO MALE NET WARRIOR CABLE RIGHT ANGLE  
 SIZE **B** DWG. NO. SN-1080-CC-XX REV **B**  
 SCALE: NA WEIGHT: SHEET 1 OF 1