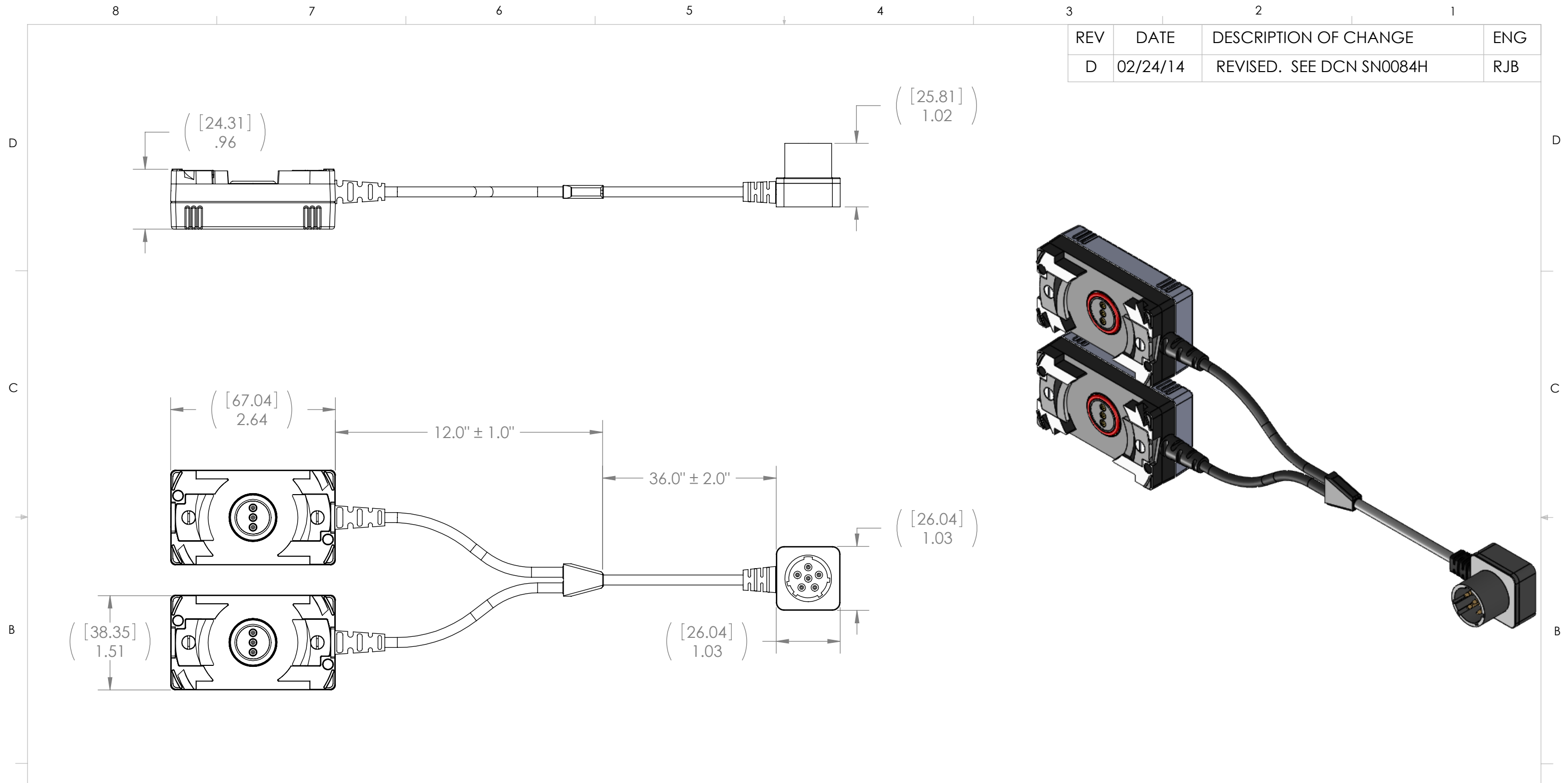



REV	DATE	DESCRIPTION OF CHANGE	ENG
D	02/24/14	REVISED. SEE DCN SN0084H	RJB

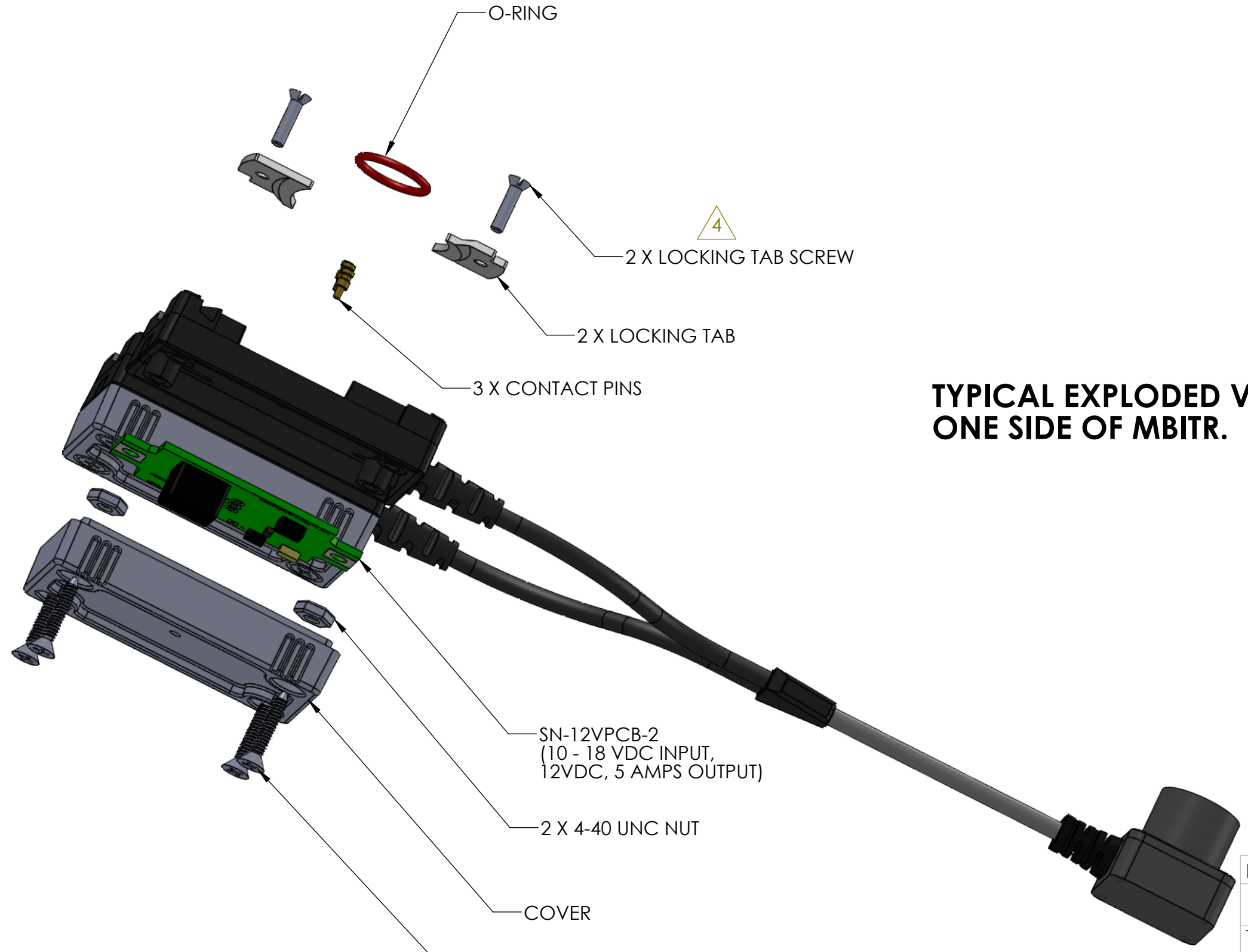


NOTES:
 1) PCB TO BE SOLDERED IAW IPC-J-STD-001 AS APPLICABLE.
 2) PCB INSTALLATION AND WIRING INSTRUCTIONS ON SHEET 3.
 3) REFERENCE SUPPLYNET FILE NUMBER SN0084.
 4) PCB AND FASTENING NUTS ARE INSTALLED OVER THESE SCREWS.

UNLESS OTHERWISE SPECIFIED:		NAME	DATE	PART NUMBER: SN-226	
DIMENSIONS ARE IN: INCHES		DRAWN	RJB	04/11/13	 614 CORPORATE WAY SUITE 8M VALLEY COTTAGE, NY 10989
TOLERANCES: .XX: ± 0.03 .XXX: ± 0.005		CHECKED	RJB	04/11/13	
ANGULAR: .X°:]° .XX°: 0.5°		COMMENTS:		TITLE: DUAL PRC 152 / PRC 148 MBITR TO SINGLE BA5590 (M) ADAPTOR WITH INTEGRATED 12V REGULATOR	
BREAK EDGES: .005 - .020 FILLETS: .005 - .020 SURFACE FINISH:		PROPRIETARY AND CONFIDENTIAL THE INFORMATION CONTAINED IN THIS DRAWING IS THE SOLE PROPERTY OF SUPPLYNET, INC. ANY REPRODUCTION IN PART OR AS A WHOLE WITHOUT THE WRITTEN PERMISSION OF SUPPLYNET INC. IS PROHIBITED.		SIZE	DWG. NO.
GEOMETRIC TOLERANCING PER: ASME Y14.5 -2009		CAGE CODE: 1HJX9		B	SN-226
MATERIAL: SEE DRAWING NOTES				REV	D
FINISH: SEE DRAWING NOTES				SCALE: NA	WEIGHT:
DO NOT SCALE DRAWING				SHEET 1 OF 3	

8 7 6 5 4 3 2 1

D
C
B
A



O-RING

4

2 X LOCKING TAB SCREW

2 X LOCKING TAB

3 X CONTACT PINS

TYPICAL EXPLODED VIEW OF ONE SIDE OF MBITR.

SN-12VPCB-2
(10 - 18 VDC INPUT,
12VDC, 5 AMPS OUTPUT)

2 X 4-40 UNC NUT

COVER

4 X COVER FASTENER

PART NUMBER: SN-226

SupplyNet 614 CORPORATE WAY
SUITE 8M
VALLEY COTTAGE, NY 10989

TITLE:
DUAL PRC 152 / PRC 148 MBITR
TO SINGLE BA5590 (M) ADAPTOR
WITH INTEGRATED 12V REGULATOR

PROPRIETARY AND CONFIDENTIAL
THE INFORMATION CONTAINED IN THIS
DRAWING IS THE SOLE PROPERTY OF
SUPPLYNET, INC. ANY REPRODUCTION
IN PART OR AS A WHOLE WITHOUT THE
WRITTEN PERMISSION OF SUPPLYNET INC.
IS PROHIBITED.

CAGE CODE: 1HJX9

SIZE	DWG. NO.	REV
B	SN-226	D

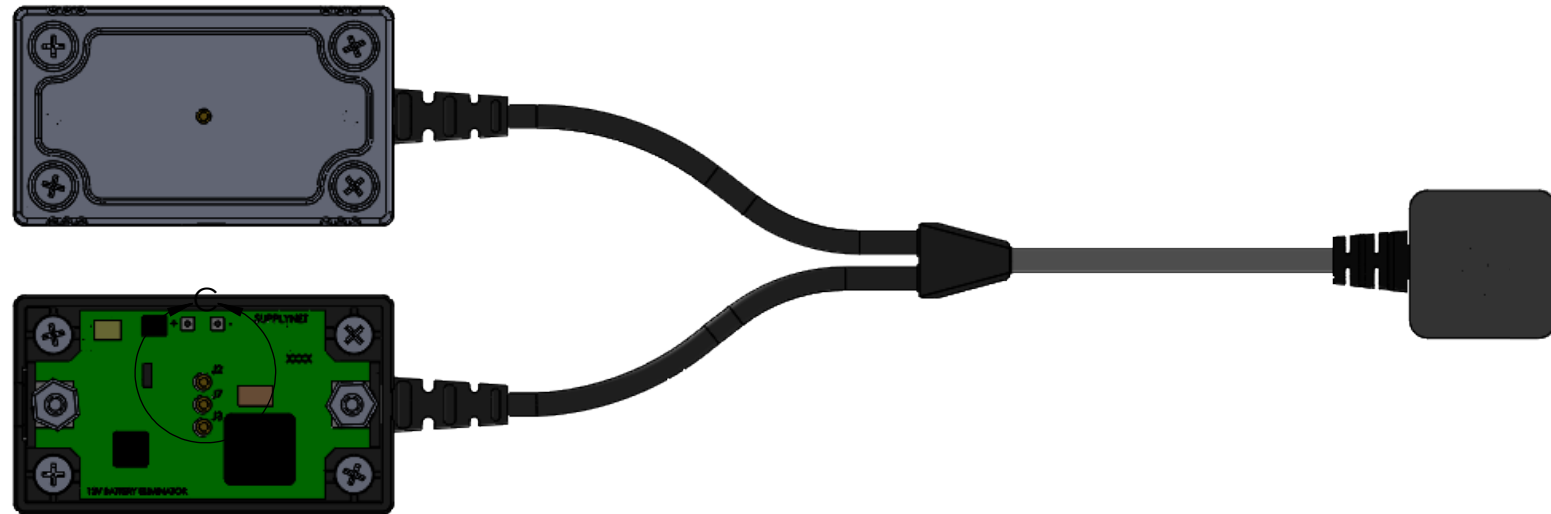
SCALE: NA	WEIGHT:	SHEET 2 OF 3
-----------	---------	--------------

8 7 6 5 4 3 2 1



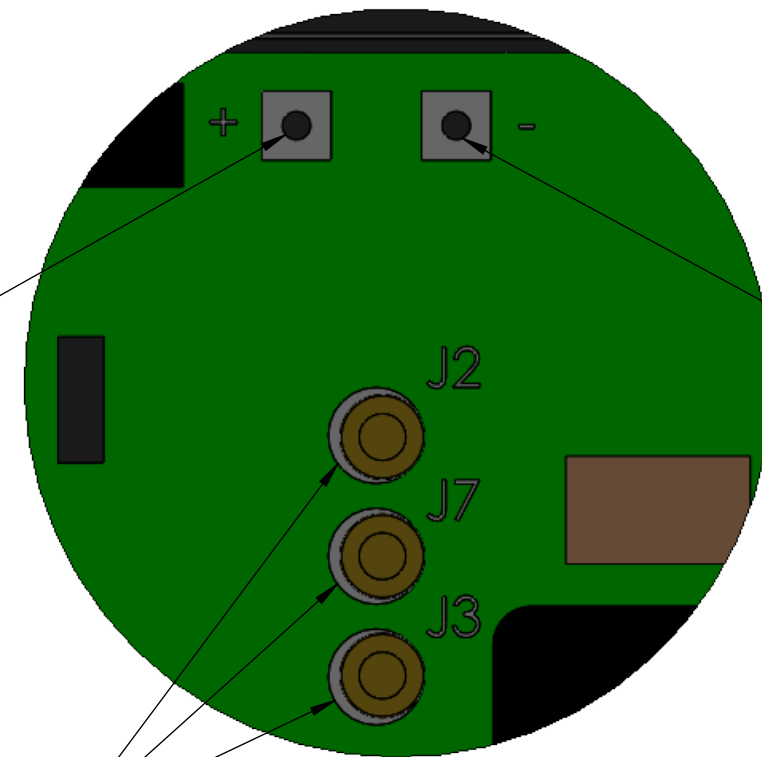
PRC-152

BA5590 (M)



SOLDER RED WIRE

SOLDER GREEN WIRE



SOLDER LOCATIONS

DETAIL C
SCALE 4 : 1

PCB INSTALLATION AND WIRING INSTRUCTIONS:

- 1) LOCATE AND INSTALL PCB AS SHOWN.
- 2) SECURE PCB TO HOUSING USING 4-40 UNC FASTENING NUTS.
- 3) WIRE PER TABLE 1. SOLDERING IAW IPC-J-STD-001 FOR EACH BA5590 (M).
- 4) APPLY CONFORMAL COATING TO PCB USING CONFORMAL COATING PER CRC TDS PLASTIK 70. USE EITHER SPRAY OR BRUSH METHOD. MASK OFF ALL EXTERIOR AREAS OF THE PRC 152 HOUSING. CONFORMAL COATING ON EXTERIOR IS PROHIBITED. APPLY AND CURE CONFORMAL COATING AS DESCRIBED IN PLASTIK 70 TDS.
- 5) ATTACH COVER USING THE MOUNTING SCREWS AND INDUSTRIAL ADHESIVE RX GEL (REF SN0042). CURE PER INSTRUCTIONS.

TABLE 1.		
PRC 152	WIRE COLOR	BA5590 (M) X 2
-	GREEN	1,2
+	RED	4,5

PART NUMBER: SN-226

SupplyNet

614 CORPORATE WAY
SUITE 8M
VALLEY COTTAGE, NY 10989

TITLE:
DUAL PRC 152 / PRC 148 MBITR
TO SINGLE BA5590 (M) ADAPTOR
WITH INTEGRATED 12V REGULATOR

SIZE B	DWG. NO. SN-226	REV D
------------------	---------------------------	-----------------

PROPRIETARY AND CONFIDENTIAL
THE INFORMATION CONTAINED IN THIS
DRAWING IS THE SOLE PROPERTY OF
SUPPLYNET, INC. ANY REPRODUCTION
IN PART OR AS A WHOLE WITHOUT THE
WRITTEN PERMISSION OF SUPPLYNET INC.
IS PROHIBITED.

CAGE CODE: 1HJX9

SCALE: NA	WEIGHT:	SHEET 3 OF 3
-----------	---------	--------------