

TABLE 1: WIRE RUN LIST	
PCB LOCATION	WIRE COLORS
4, 5	RED
1, 2	BLACK

TABLE 2: WIRE LENGTH CHART		
PART NUMBER & PART MARKING	"-XX" DIMENSION (INCHES)	TOLERANCE (INCHES)
191004E-01-ND	12	+1.0", -0.0"
191004E-02-ND	24	+2.0", -0.0"
191004E-03-ND	36	+2.0", -0.0"
191004E-04-ND	48	+2.0", -0.0"
191004E-05-ND	60	+2.0", -0.0"
191004E-06-ND	72	+4.0", -0.0"
191004E-08-ND	96	+4.0", -0.0"
191004E-10-ND	120	+4.0", -0.0"
191004E-12-ND	144	+6.0", -0.0"
191004E-15-ND	216	+6.0", -0.0"
191004E-20-ND	240	+6.0", -0.0"

REVISIONS			
REV.	DESCRIPTION	DATE	APPROVED
F	REMOVED PCB FROM BOM, UPDATED WIRE RUN LIST.	1/15/2021	MOB
G	CHANGED ITEM NO. 1 PN, ADDED HI-POT TEST NOTES.	3/29/2022	MOB

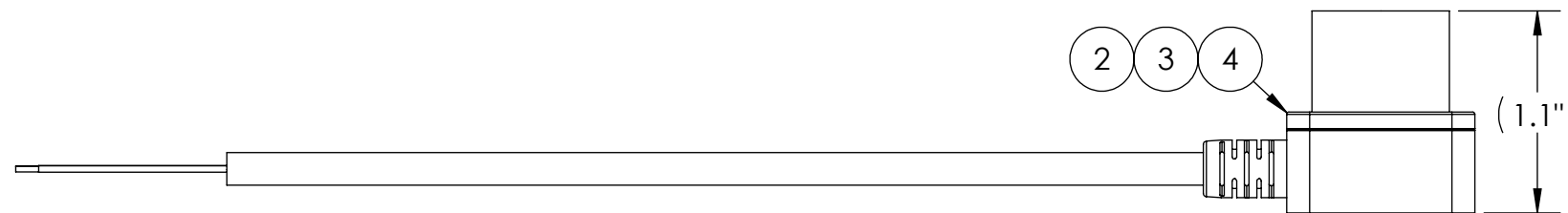
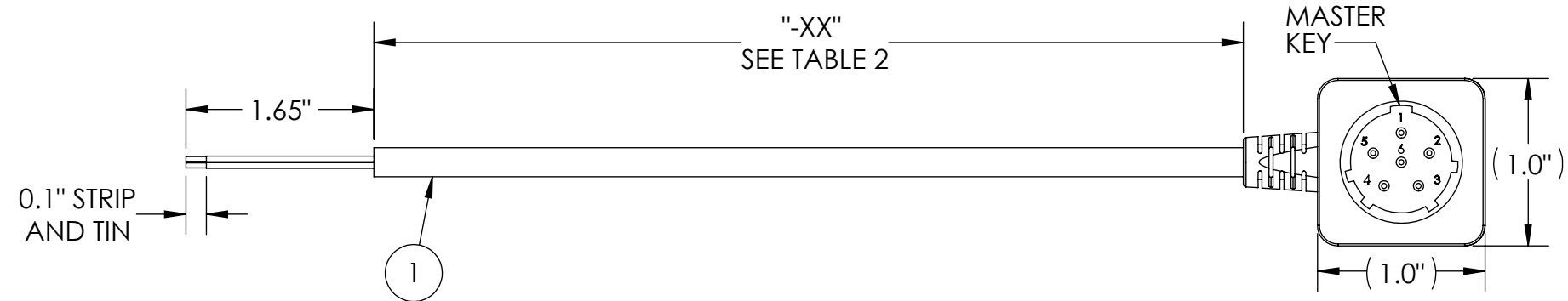


TABLE 2: BILL OF MATERIALS			
ITEM NO.	PART NO	QTY	NAME/DESCRIPTION
1	202C-U07A	XX	CABLE, 2C, AWG 20, PU JACKET, 4.6MM OD
2	CONN-BA5590-MT	1	Male BA5590 with Threaded Backshell
3	SR:0024	1	THREADED STRAIN RELIEF

NOTES:

- WIRE FUNCTION: SEE TABLE 1 WIRE RUN LIST.
- CABLE LENGTH: "-XX" AS PER PO.
- ASSEMBLY TO BE 100% TESTED FOR CONTINUITY, SHORTS, AND JACKET RESISTANCE. (250V @ 100MOHM MIN.)
- SOLDERING: IAW IPC-J-STD-001 CLASS II AS APPLICABLE.
- IDENTIFICATION: BAG AND IDENTIFY ON PACKAGING THE FOLLOWING INFORMATION FOR EACH PART DELIVERED.
PN: 191004E-XX-ND REV. X ("-XX" & REV AS PER PO)
CAGE CODE: 1HJX9
MFD: MM/YY
- REFERENCE SUPPLYNET FILE NUMBER SN0617.
- MANUFACTURE AND INSPECT IAW IPC/WHMA A-620 CLASS 2.

UNLESS OTHERWISE SPECIFIED:
 DIMENSIONS ARE IN: INCHES
 TOLERANCES: .XX: ± 0.03
 .XXX: ± 0.005
 ANGULAR: .X°: 1°
 .XX°: 0.5°
 BREAK EDGES: .005 - .020
 FILLETS: .005 - .020
 SURFACE FINISH:
 GEOMETRIC TOLERANCING PER: ASME Y14.5 -2009
 MATERIAL: SEE DRAWING NOTES
 FINISH: SEE DRAWING NOTES
 DO NOT SCALE DRAWING

NAME	DATE
DRAWN LS	3/29/2019
CHECKED RB	3/29/2019
COMMENTS:	
PROPRIETARY AND CONFIDENTIAL THE INFORMATION CONTAINED IN THIS DRAWING IS THE SOLE PROPERTY OF SUPPLYNET, INC. ANY REPRODUCTION IN PART OR AS A WHOLE WITHOUT THE WRITTEN PERMISSION OF SUPPLYNET INC. IS PROHIBITED.	
CAGE CODE: 1HJX9	

REF. NUMBER: SN0617
 SupplyNet 706 EXECUTIVE BLVD. SUITE B VALLEY COTTAGE, NY 10989

TITLE: **BA5590 MALE BATTERY CONNECTOR WITH POLYURETHANE JACKET, 12V, VARIABLE LENGTH**

SIZE B	DWG. NO. 191004E-XX-ND	REV G
SCALE: NA	WEIGHT:	SHEET 1 OF 2

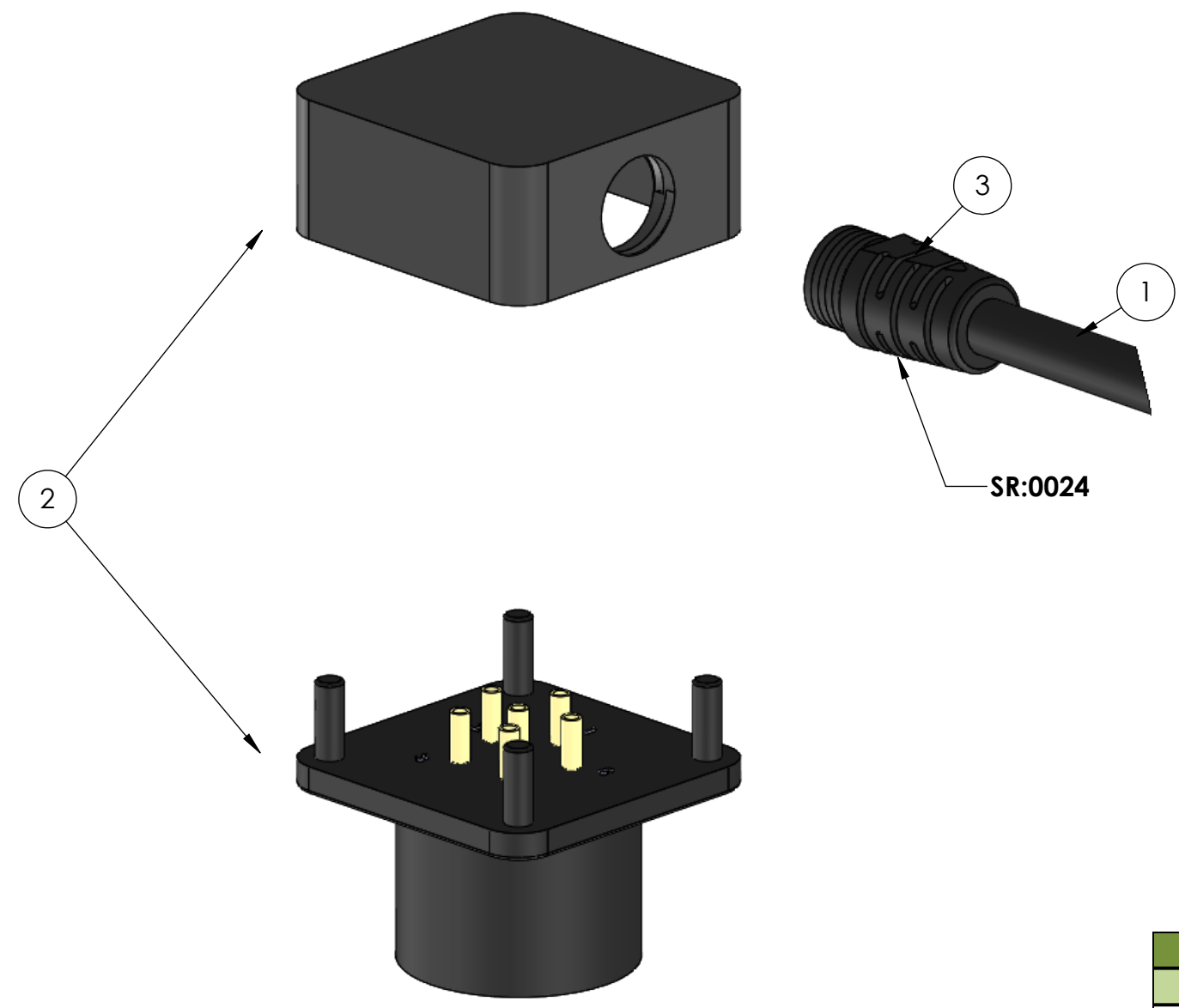


DIAGRAM 2:
EXPLODED VIEW
SCALE 2 : 1

TABLE 2: BILL OF MATERIALS			
ITEM NO.	PART NO	QTY	NAME/DESCRIPTION
1	202C-U07A	XX	CABLE, 2C, AWG 20, PU JACKET, 4.6MM OD
2	CONN-BA5590-MT	1	Male BA5590 with Threaded Backshell
3	SR:0024	1	THREADED STRAIN RELIEF

REF. NUMBER: SN0617

SupplyNet 706 EXECUTIVE BLVD.
SUITE B
VALLEY COTTAGE, NY 10989

TITLE: **BA5590 MALE BATTERY CONNECTOR WITH POLYURETHANE JACKET, 12V, VARIABLE LENGTH**

SIZE	DWG. NO.	REV
B	191004E-XX-ND	G

CAGE CODE: 1HJX9 SCALE: NA WEIGHT: SHEET 2 OF 2

PROPRIETARY AND CONFIDENTIAL
THE INFORMATION CONTAINED IN THIS DRAWING IS THE SOLE PROPERTY OF SUPPLYNET, INC. ANY REPRODUCTION IN PART OR AS A WHOLE WITHOUT THE WRITTEN PERMISSION OF SUPPLYNET INC. IS PROHIBITED.