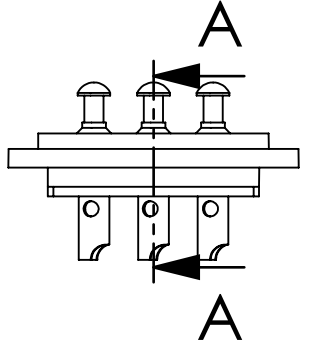
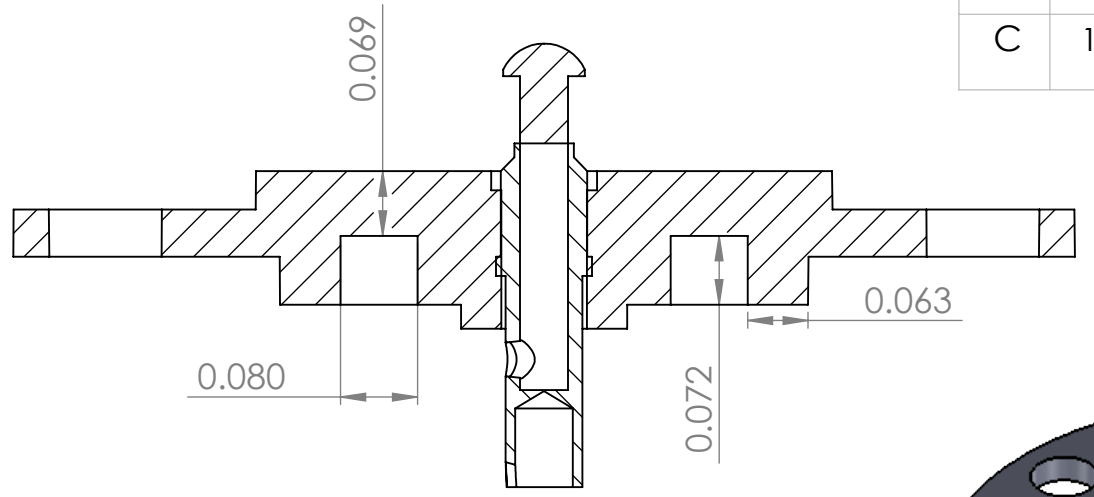
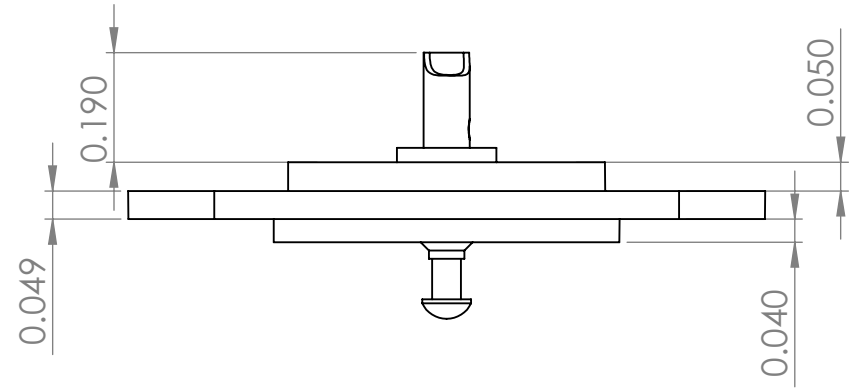
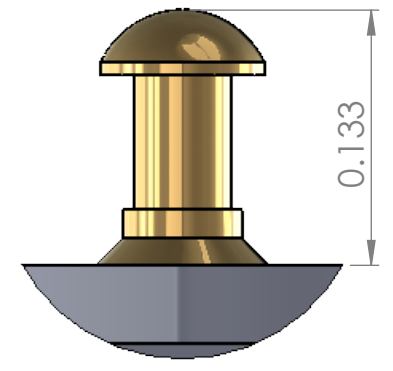
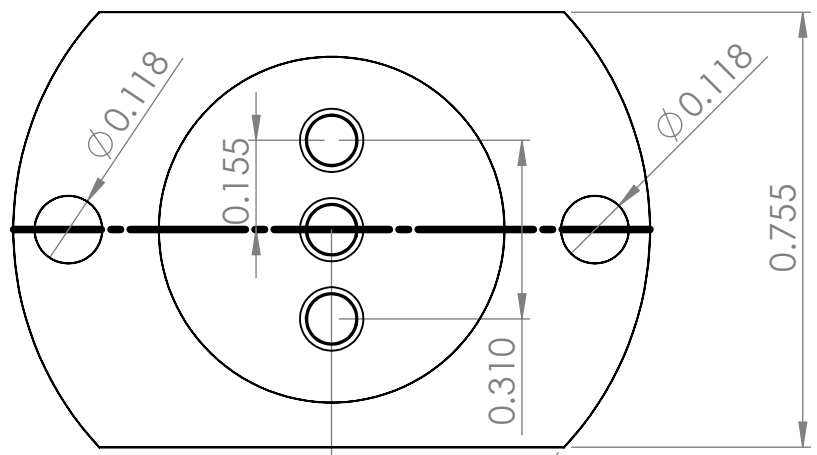
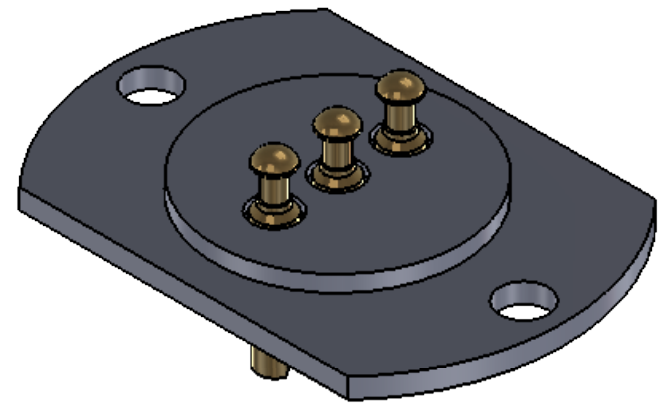


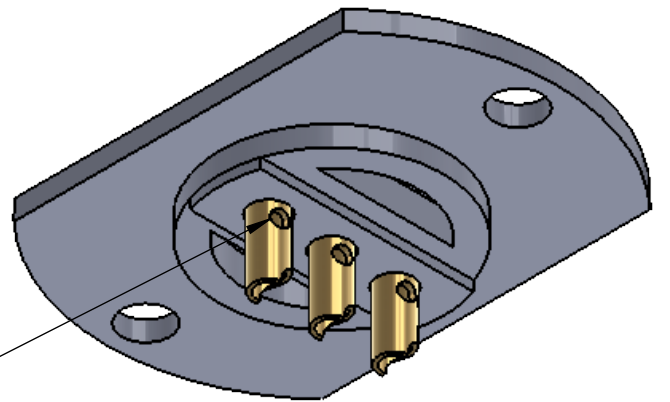
REV	DATE	DESCRIPTION OF CHANGE	ENG
C	11/7/17	PIN HOUSING MODIFIED (SEE SECTION A-A)	LS



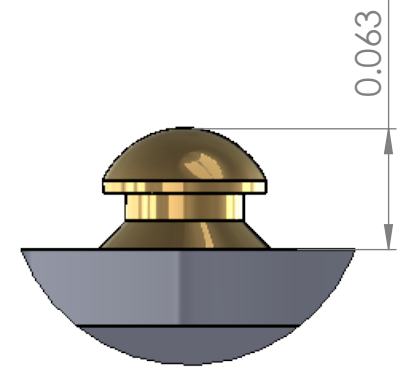
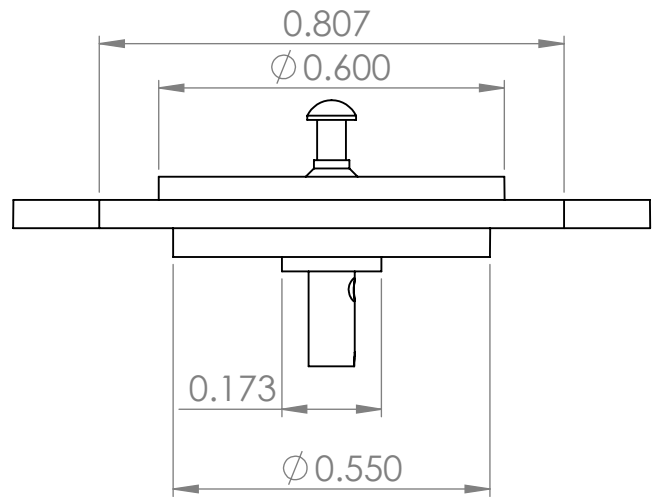
SECTION A-A



EXTENDED POGO PIN



WEEP HOLE



COMPRESSED POGO PIN

NOTES:
1) POGO PINS RATED FOR 10,000 CYCLES

UNLESS OTHERWISE SPECIFIED:

DIMENSIONS ARE IN: INCHES
TOLERANCES: .XX: ± 0.03
.XXX: ± 0.005
ANGULAR: .X*: 1°
.XX*: 0.5°
BREAK EDGES: .005 - .020
FILLET: .005 - .020
SURFACE FINISH:

GEOMETRIC TOLERANCING PER: ASME Y14.5 -2009

MATERIAL: SEE DRAWING NOTES

FINISH: SEE DRAWING NOTES

DO NOT SCALE DRAWING

	NAME	DATE
DRAWN	TC	05/26/16
CHECKED	RJB	05/26/16
COMMENTS:		

REF. NUMBER: SN0422		
TITLE: MBITR-CONN-PLUG		
SIZE B	DWG. NO. 1116-01-105-ASSY	REV C
SCALE: NA	WEIGHT:	SHEET 1 OF 1

PROPRIETARY AND CONFIDENTIAL
THE INFORMATION CONTAINED IN THIS DRAWING IS THE SOLE PROPERTY OF SUPPLYNET, INC. ANY REPRODUCTION IN PART OR AS A WHOLE WITHOUT THE WRITTEN PERMISSION OF SUPPLYNET INC. IS PROHIBITED.

CAGE CODE: 1HJX9