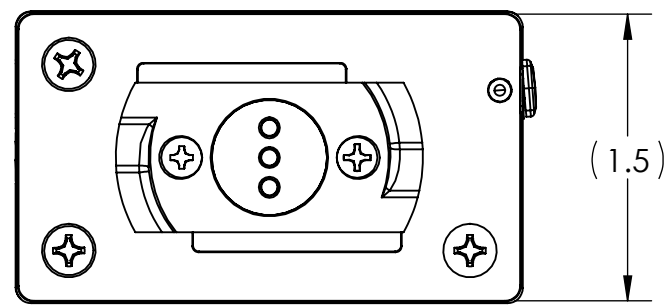
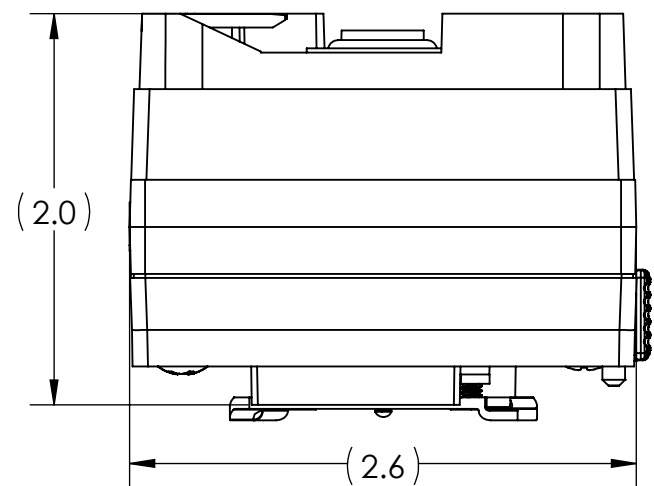
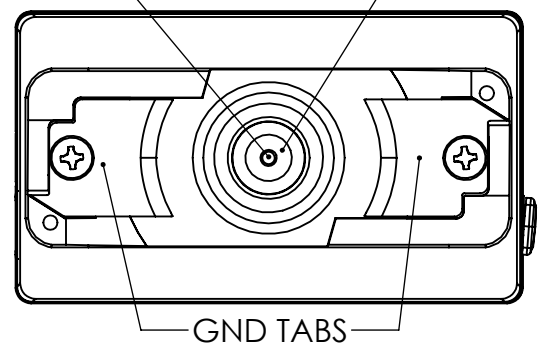


TABLE 1: WIRE RUN LIST		
P1	WIRE COLOR	P2
1	RED	1, 3
2	BLACK	2
GND TABS	GREEN	GND BAR

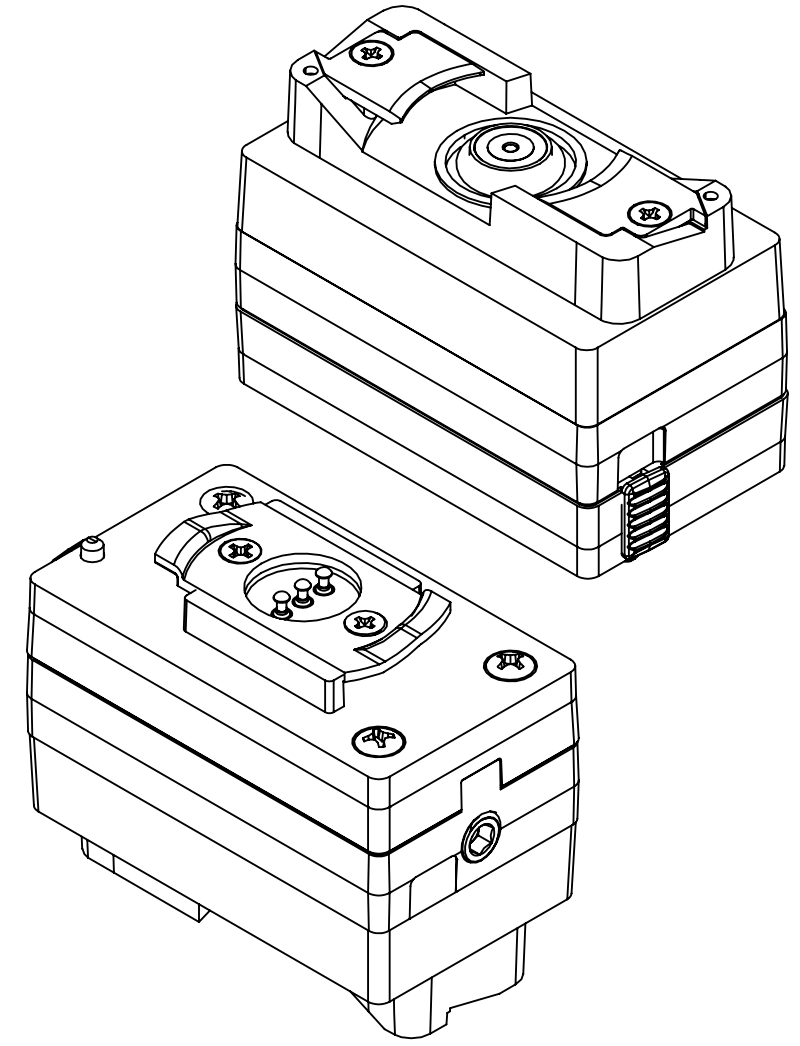
2 (CENTER PIN) 1 (OUTER CONTACT)



REVISIONS			
REV.	DESCRIPTION	DATE	ENG
B	REDRAWN WITH CHANGE: ADDED SN-1034-8MM-2 SPACER, ADDED SET SCREW, ADDED RESISTOR, CHANGED SCREW PINS	01/04/2023	MOB
C	SWAPPED GROUND BAR	08/31/2023	CWA
D	UPDATED BOM	11/12/2025	CWA

**OPERATIONAL NOTES:**

- OUTPUT: 3.8VDC @ 5A CONTINUOUS, 8A PULSE.
- INPUT: 11 - 17VDC,
- COMPATIBLE WITH TW-900 & TW-950 RADIOS.
- ADAPTS MBITR BATTERIES TO TRELISWARE RADIOS.



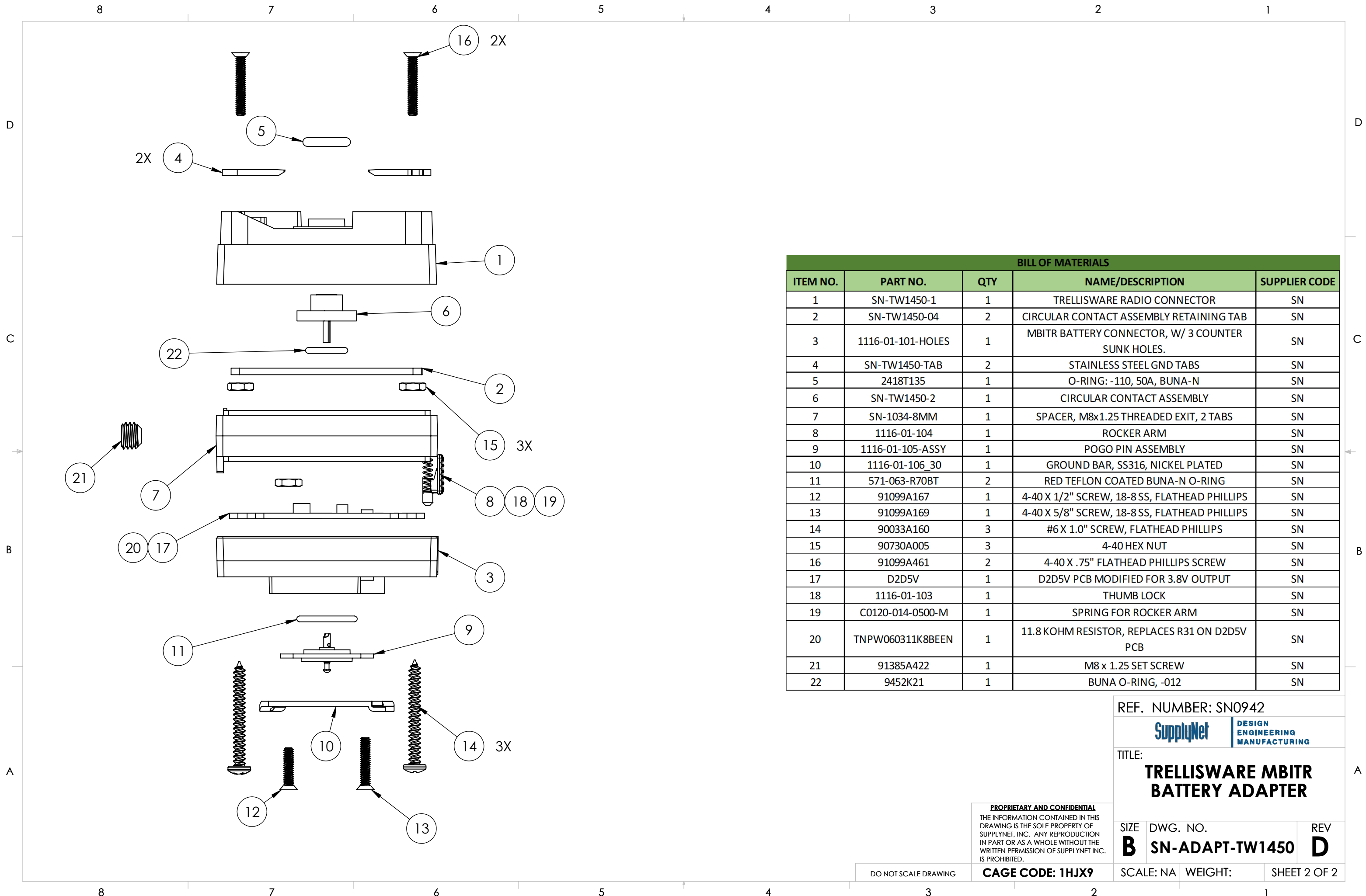
**NOTES:**

- WIRING SHALL BE DONE IN ACCORDANCE WITH TABLE 1 WIRE RUN LIST.
- PACKAGING REQUIREMENTS:
  - EACH COMPLETED ASSEMBLY SHALL BE PACKAGED IN A ZIP POLYBAG.
  - CONNECTOR(S) SHALL BE PACKAGED TO PREVENT DAMAGE DURING SHIPPING. BUBBLE WRAP OR PROTECTIVE COVER MUST BE USED.
  - POLYBAG SHALL BE MARKED WITH SUPPLYNET LOGO, PRODUCT QR CODE, PART NUMBER, CAGE CODE, AND LOT NO, PER SN-STD-LBL REQUIREMENTS.
- WORKMANSHIP REQUIREMENTS:
  - MANUFACTURE TO IAW/WHMA A-620 CLASS 2 REQUIREMENTS.
  - SOLDERING SHALL BE COMPLIANT WITH IAW J-STD-001 AS APPLICABLE.
  - CONNECTOR(S) AND WIRE SHALL BE FREE FROM ANY SCRATCHES, CHIPS, AND DEFECTS.
- INSPECTION REQUIREMENTS:
  - EACH COMPLETED ASSEMBLY TO BE 100% TESTED FOR SHORTS, CONTINUITY, AND JACKET RESISTANCE (250V @100MOHM MIN.)
  - INSPECT TO IPC/WHMA A-620 CLASS 2 REQUIREMENTS.

UNLESS OTHERWISE SPECIFIED:  
 DIMENSIONS ARE IN: INCHES  
 TOLERANCES: .XX: ± 0.03  
 .XXX: ± 0.005  
 ANGULAR: .X°: 1°  
 .XX°: 0.5°  
 BREAK EDGES: .005 - .020  
 FILLETS: .005 - .020  
 SURFACE FINISH:  
 GEOMETRIC TOLERANCING  
 PER: ASME Y14.5 -2009  
 MATERIAL: SEE DRAWING NOTES  
 FINISH: SEE DRAWING NOTES  
 DO NOT SCALE DRAWING

	NAME	DATE
DRAWN	MOB	11/07/22
CHECKED	RB	11/07/22
COMMENTS:		
<b>PROPRIETARY AND CONFIDENTIAL</b>		
THE INFORMATION CONTAINED IN THIS DRAWING IS THE SOLE PROPERTY OF SUPPLYNET, INC. ANY REPRODUCTION IN PART OR AS A WHOLE WITHOUT THE WRITTEN PERMISSION OF SUPPLYNET INC. IS PROHIBITED.		
<b>CAGE CODE: 1HJX9</b>		

REF. NUMBER: SN0942		
TITLE: <b>TRELISWARE MBITR BATTERY ADAPTER</b>		
SIZE <b>B</b>	DWG. NO. <b>SN-ADAPT-TW1450</b>	REV <b>D</b>
SCALE: NA	WEIGHT:	SHEET 1 OF 2



BILL OF MATERIALS				
ITEM NO.	PART NO.	QTY	NAME/DESCRIPTION	SUPPLIER CODE
1	SN-TW1450-1	1	TRELLISWARE RADIO CONNECTOR	SN
2	SN-TW1450-04	2	CIRCULAR CONTACT ASSEMBLY RETAINING TAB	SN
3	1116-01-101-HOLES	1	MBITR BATTERY CONNECTOR, W/ 3 COUNTER SUNK HOLES.	SN
4	SN-TW1450-TAB	2	STAINLESS STEEL GND TABS	SN
5	2418T135	1	O-RING: -110, 50A, BUNA-N	SN
6	SN-TW1450-2	1	CIRCULAR CONTACT ASSEMBLY	SN
7	SN-1034-8MM	1	SPACER, M8x1.25 THREADED EXIT, 2 TABS	SN
8	1116-01-104	1	ROCKER ARM	SN
9	1116-01-105-ASSY	1	POGO PIN ASSEMBLY	SN
10	1116-01-106_30	1	GROUND BAR, SS316, NICKEL PLATED	SN
11	571-063-R70BT	2	RED TEFLON COATED BUNA-N O-RING	SN
12	91099A167	1	4-40 X 1/2" SCREW, 18-8 SS, FLATHEAD PHILLIPS	SN
13	91099A169	1	4-40 X 5/8" SCREW, 18-8 SS, FLATHEAD PHILLIPS	SN
14	90033A160	3	#6 X 1.0" SCREW, FLATHEAD PHILLIPS	SN
15	90730A005	3	4-40 HEX NUT	SN
16	91099A461	2	4-40 X .75" FLATHEAD PHILLIPS SCREW	SN
17	D2D5V	1	D2D5V PCB MODIFIED FOR 3.8V OUTPUT	SN
18	1116-01-103	1	THUMB LOCK	SN
19	C0120-014-0500-M	1	SPRING FOR ROCKER ARM	SN
20	TNPW060311K8BEEN	1	11.8 KOHM RESISTOR, REPLACES R31 ON D2D5V PCB	SN
21	91385A422	1	M8 x 1.25 SET SCREW	SN
22	9452K21	1	BUNA O-RING, -012	SN

REF. NUMBER: SN0942



TITLE:  
**TRELLISWARE MBITR BATTERY ADAPTER**

SIZE	DWG. NO.	REV
<b>B</b>	<b>SN-ADAPT-TW1450</b>	<b>D</b>

**PROPRIETARY AND CONFIDENTIAL**  
THE INFORMATION CONTAINED IN THIS DRAWING IS THE SOLE PROPERTY OF SUPPLYNET, INC. ANY REPRODUCTION IN PART OR AS A WHOLE WITHOUT THE WRITTEN PERMISSION OF SUPPLYNET INC. IS PROHIBITED.

DO NOT SCALE DRAWING      **CAGE CODE: 1HJX9**      SCALE: NA      WEIGHT:      SHEET 2 OF 2