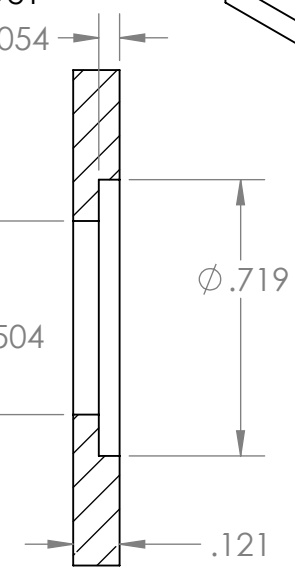
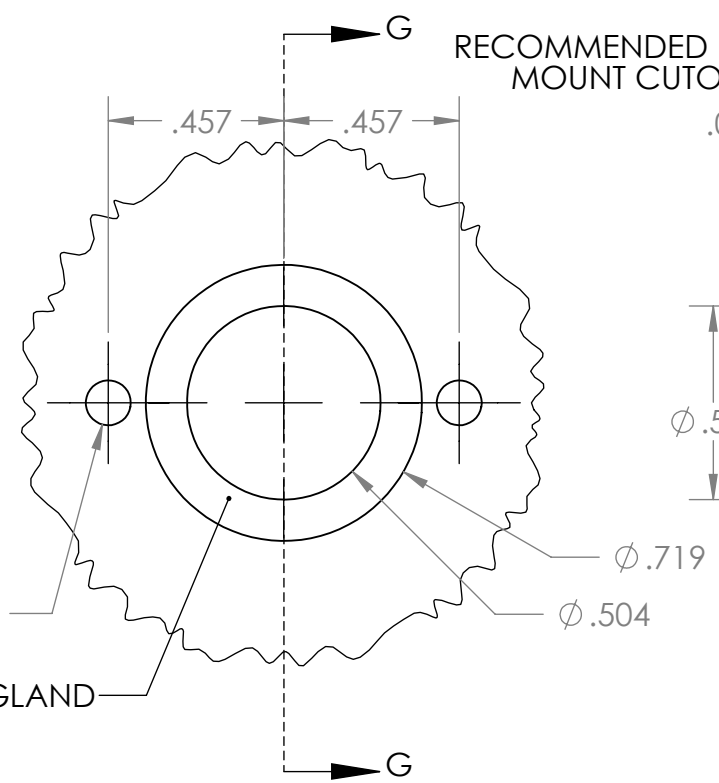
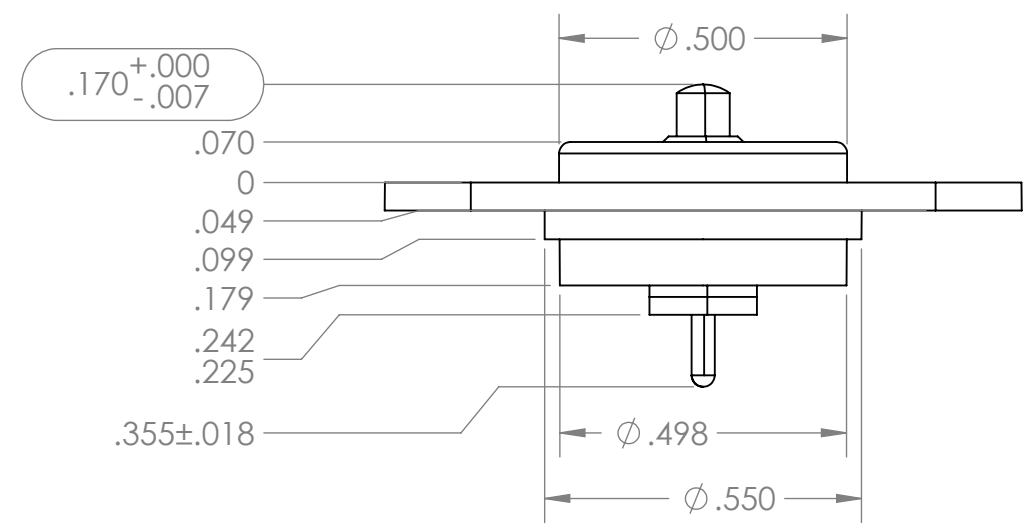
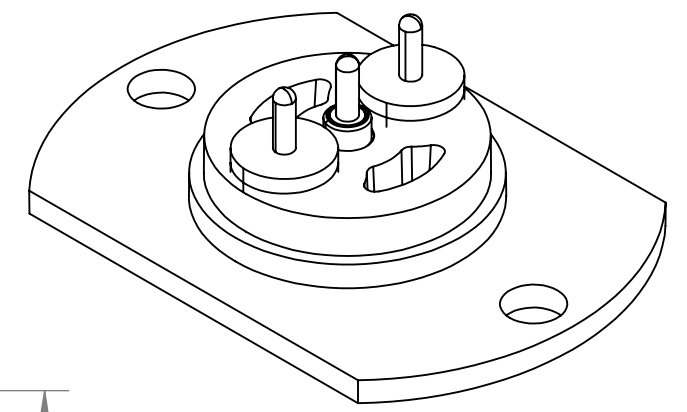
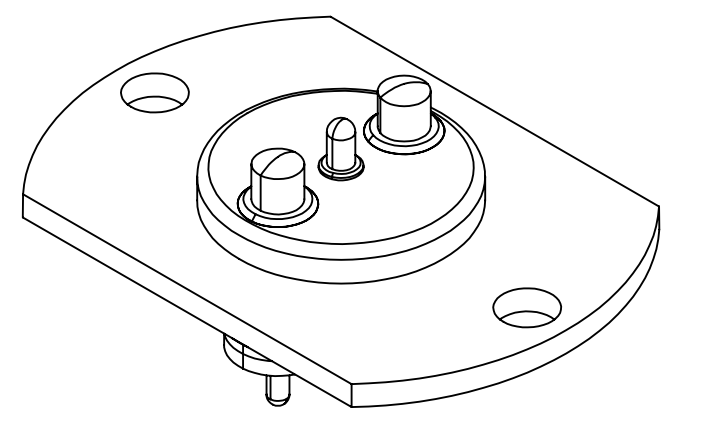
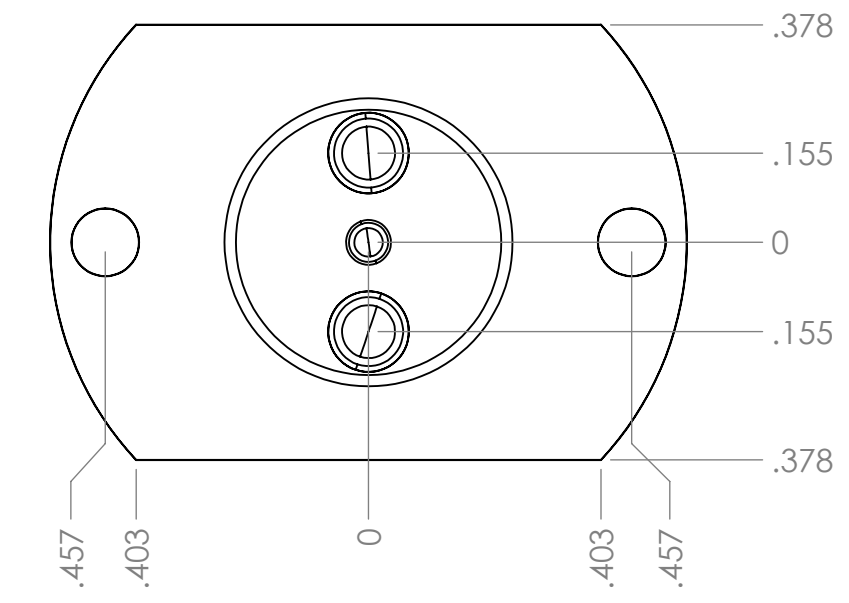
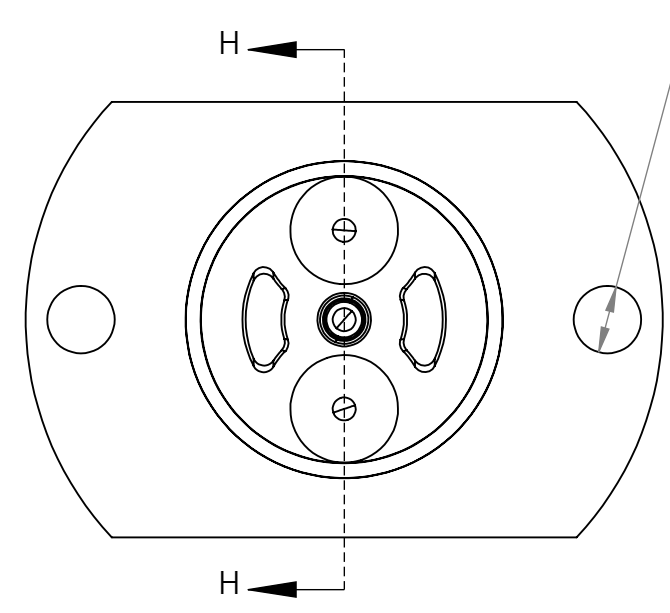
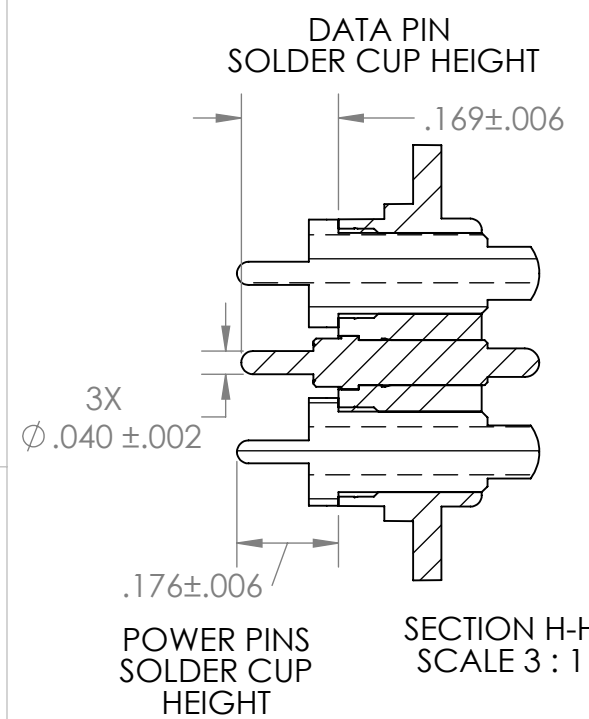


8 7 6 5 4 3 2 1

REVISIONS			
REV.	DESCRIPTION	DATE	ENG
A	INITIAL RELEASE	2/27/2026	MOB



RECOMMENDED O-RING:
 ID: .571 IN.
 WIDTH: .063 IN.
 DUROMETER: 70 SHORE A
 SUPPLYNET PART NO.: 571-063-R70BT

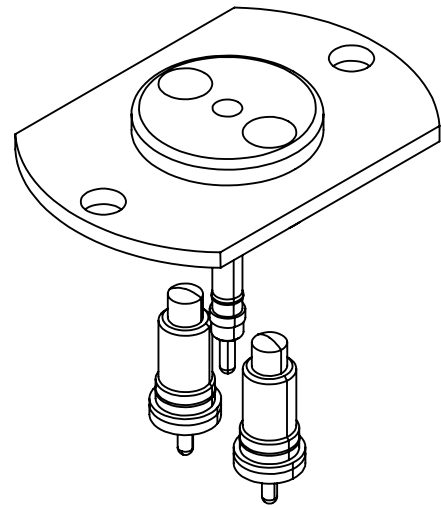
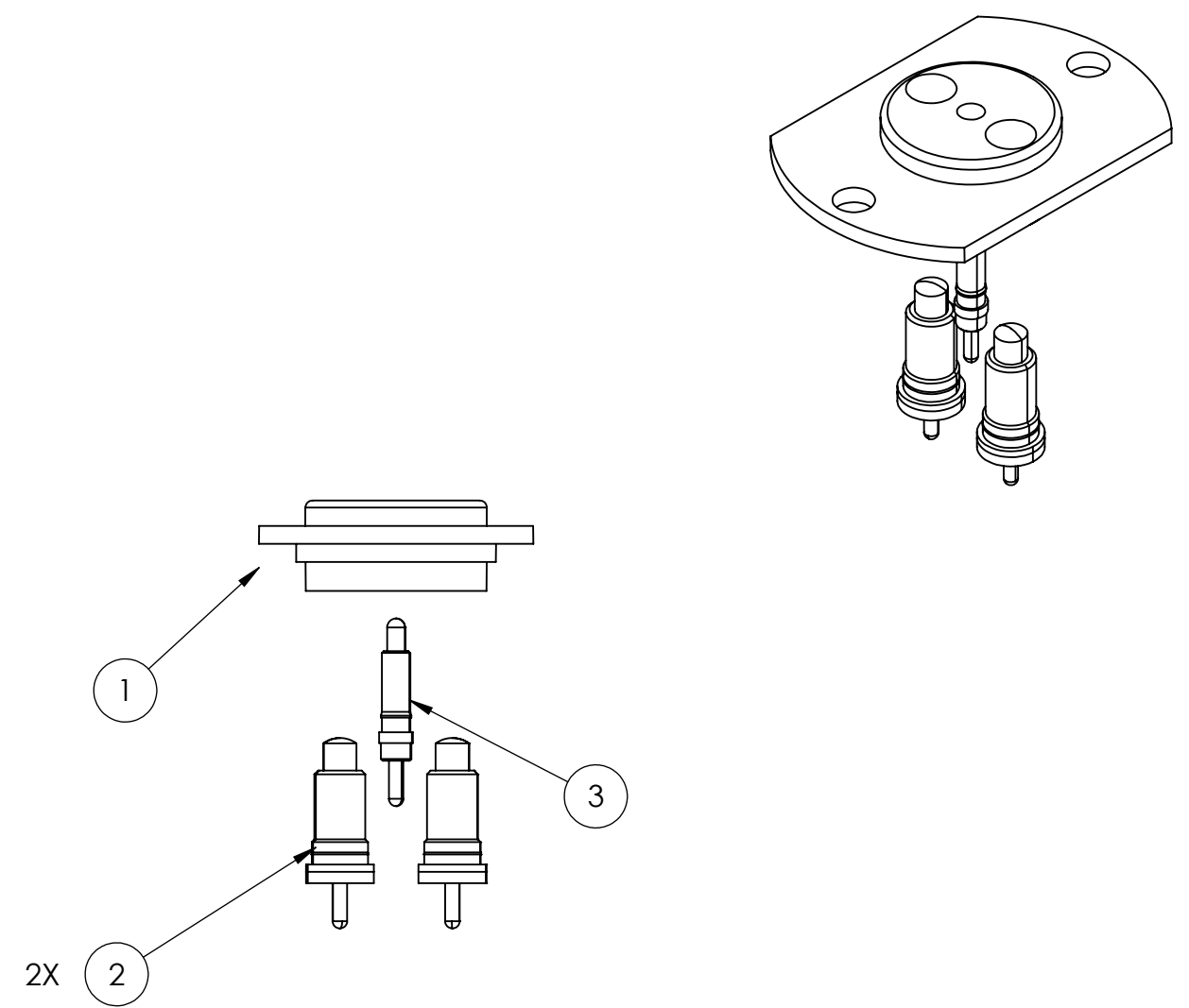
- NOTES:
- MATERIAL:
 - INSULATOR: PPS 40% GF
 - PINS: BRASS ALLOY 360, 1/2 HARD OR 385, 20 µIN GOLD OVER NICKEL
 - ELECTRICAL:
 - POWER PIN: 10A PER PIN
 - DATA PIN: 5A
 - POGO PINS RATED FOR 100,000+ CYCLES.
 - PACKAGING:
 - ITEMS MAY BE PACKAGED IN BULK.
 - PACKAGING SHALL BE MARKED PER SN-STD-LBL REQUIREMENTS.
 - WORKMANSHIP:
 - EACH COMPLETED ASSEMBLY SHALL BE FREE FROM FLASHING, BURRS, SPLAY, AND DEFECTS.
 - INSPECTION REQUIREMENTS:
 - (XXXXX) = DIMENSION REQUIRING INSPECTION.

UNLESS OTHERWISE SPECIFIED:	NAME	DATE
DIMENSIONS ARE IN: INCHES	DRAWN	MOB 2/27/2026
TOLERANCES: .XX: ± 0.03	CHECKED	MOB 2/27/2026
.XXX: ± 0.005	COMMENTS:	
ANGULAR: .X°: 1°	PROPRIETARY AND CONFIDENTIAL	
.XX': 0.5°	THE INFORMATION CONTAINED IN THIS DRAWING IS THE SOLE PROPERTY OF SUPPLYNET, INC. ANY REPRODUCTION IN PART OR AS A WHOLE WITHOUT THE WRITTEN PERMISSION OF SUPPLYNET INC. IS PROHIBITED.	
BREAK EDGES: .005 - .020	CAGE CODE: 1HJX9	
FILLET: .005 - .020	DO NOT SCALE DRAWING	
SURFACE FINISH:		
GEOMETRIC TOLERANCING PER: ASME Y14.5-2009		
MATERIAL: SEE DRAWING NOTES		
FINISH: SEE DRAWING NOTES		

REF. NUMBER: SN1504		
TITLE: POGO PIN ASSEMBLY, 3 POS. FRONT PANEL MOUNT, PCB TAILS		
SIZE B	DWG. NO. 1116-01-105-ASSY-T	REV A
SCALE: NA	WEIGHT:	SHEET 1 OF 2

BOM ON SHEET 2

8 7 6 5 4 3 2 1



BILL OF MATERIALS			
ITEM NO.	PART NO.	QTY	NAME/DESCRIPTION
1	1116-01-105-F	1	INSULATOR, 3 POS. POGO PIN INSULATOR
2	0861-0-15-20-82-14-11-0	2	POGO PIN, POWER, GOLD PLATED BRASS, .040 IN. DIA. PCB TAIL
3	0860-0-15-20-82-14-11-0	1	POGO PIN, DATA, GOLD PLATED BRASS, .040 IN. DIA. PCB TAIL

REF. NUMBER: SN1504



TITLE:
POGO PIN ASSEMBLY, 3 POS. FRONT PANEL MOUNT, PCB TAILS

SIZE	DWG. NO.	REV
B	1116-01-105-ASSY-T	A

PROPRIETARY AND CONFIDENTIAL
THE INFORMATION CONTAINED IN THIS DRAWING IS THE SOLE PROPERTY OF SUPPLYNET, INC. ANY REPRODUCTION IN PART OR AS A WHOLE WITHOUT THE WRITTEN PERMISSION OF SUPPLYNET INC. IS PROHIBITED.

DO NOT SCALE DRAWING **CAGE CODE: 1HJX9** SCALE: NA WEIGHT: SHEET 2 OF 2