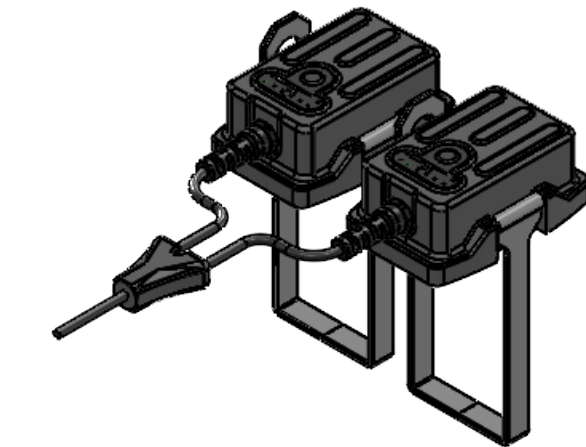
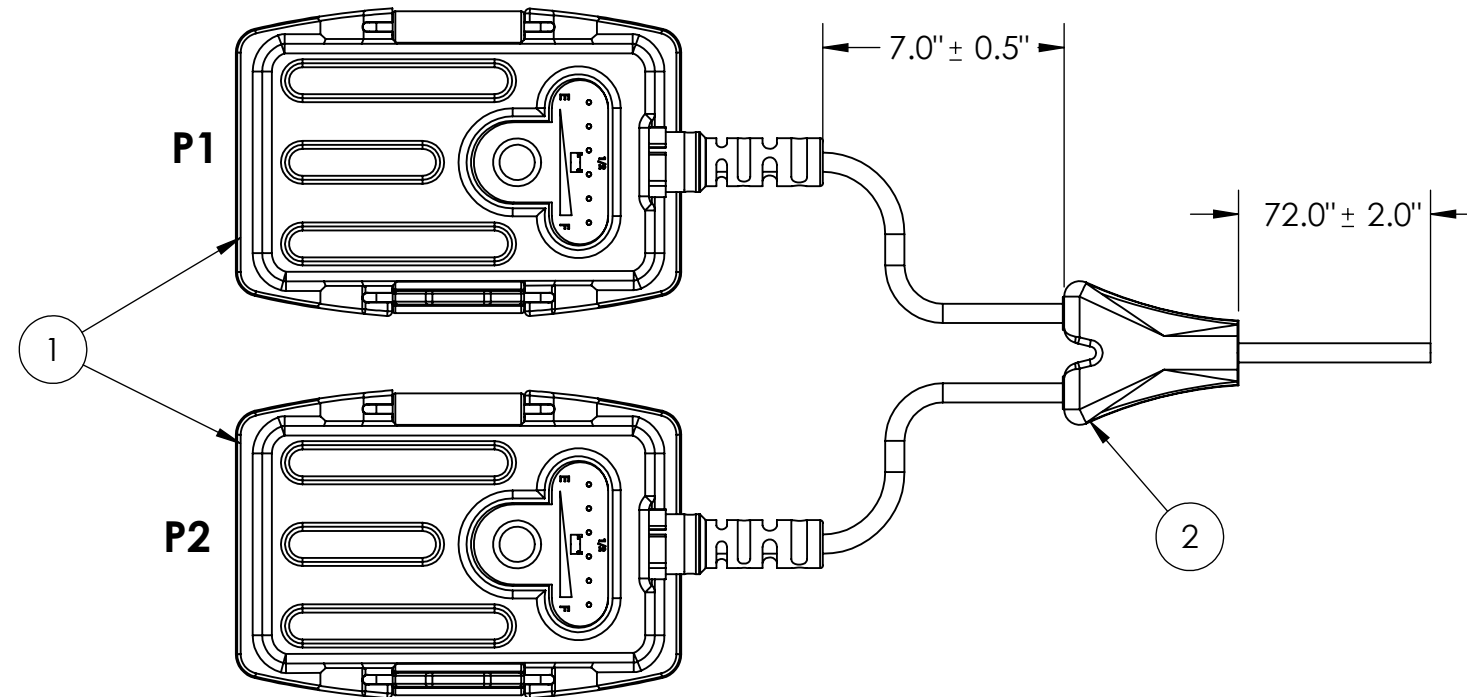


WIRE RUN LIST (P1 TO P3)		
PCB	P1	P3
(+)24V	RED	→ RED
(-) GND	BLACK	BLACK

TABLE 1: WIRE RUN LIST		
PCB	P2	P3
(+)24V	RED	→ WHITE
(-)GND	BLACK	GREEN

*PLACE DIODE ON (+)24V OUT OF P1 & P2

*CAP AND STOW ANY UNUSED WIRES.



*BATTERIES NOT SHOWN

REVISIONS		
REV.	DESCRIPTION	DATE
A	INITIAL REV	5/22/2020
B	ITEM NO. 3 UPDATED	11/30/2023

BILL OF MATERIALS			
ITEM NO.	PART NO.	QTY	NAME/DESCRIPTION
1	SN-951-K	2	SN-951-K ASSEMBLY WATERTIGHT, 24V REGULATED
2	WIRE-926-DB	AR	CABLE, AWG 20, 4C, WITH Y-SPLITTER OD: 0.20"
3	1655-SB10150TB-ND	2	SCHOTTKY DIODE, 10A

NOTES:

- WIRE FUNCTION: SEE TABLE 1 WIRE RUN LIST. (CAP AND STOW ANY UNUSED WIRES).
- CABLE LENGTH: 72.0" ± 2.0".
- ASSEMBLY TO BE 100% TESTED FOR CONTINUITY, SHORTS, AND JACKET RESISTANCE.
- SOLDERING: IAW IPC-J-STD-001 CLASS II AS APPLICABLE.
- IDENTIFICATION: BAG AND IDENTIFY ON PACKAGING THE FOLLOWING INFORMATION FOR EACH PART DELIVERED. PART MARKING ON THE WIRE IS PROHIBITED.
PN: SN-951-KX-06 REV. X (REV. "X" AS PER PO)
CAGE CODE: 1HJX9
MFD: MM/YY
- REFERENCE SUPPLYNET FILE NUMBER SN0745.
- MANUFACTURE AND INSPECT IAW IPC/WHMA A-620 CLASS 2.

UNLESS OTHERWISE SPECIFIED:		NAME	DATE	REF. NUMBER: SN0745
DIMENSIONS ARE IN: INCHES		DRAWN	MOB	5/22/2020
TOLERANCES: .XX: ± 0.03		CHECKED	RB	5/22/2020
.XXX: ± 0.005		COMMENTS:		
ANGULAR: .X*: 1°		PROPRIETARY AND CONFIDENTIAL THE INFORMATION CONTAINED IN THIS DRAWING IS THE SOLE PROPERTY OF SUPPLYNET, INC. ANY REPRODUCTION IN PART OR AS A WHOLE WITHOUT THE WRITTEN PERMISSION OF SUPPLYNET INC. IS PROHIBITED.		
.XX*: 0.5°				
BREAK EDGES: .005 - .020				
FILLETS: .005 - .020				
SURFACE FINISH:		TITLE: DUAL WATERTIGHT BB2590 24V REGULATED WITH FUEL GAUGE		
GEOMETRIC TOLERANCING PER: ASME Y14.5 -2009		SIZE	DWG. NO.	REV
MATERIAL: SEE DRAWING NOTES		B	SN-951-KX-06	B
FINISH: SEE DRAWING NOTES		CAGE CODE: 1HJX9		SHEET 1 OF 1
DO NOT SCALE DRAWING		SCALE: NA	WEIGHT:	