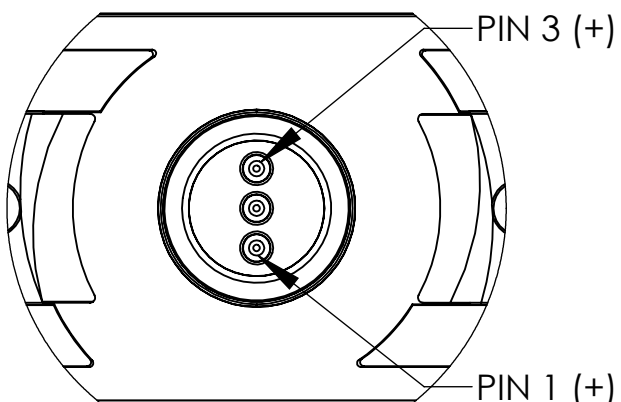


8 7 6 5 4 3 2 1

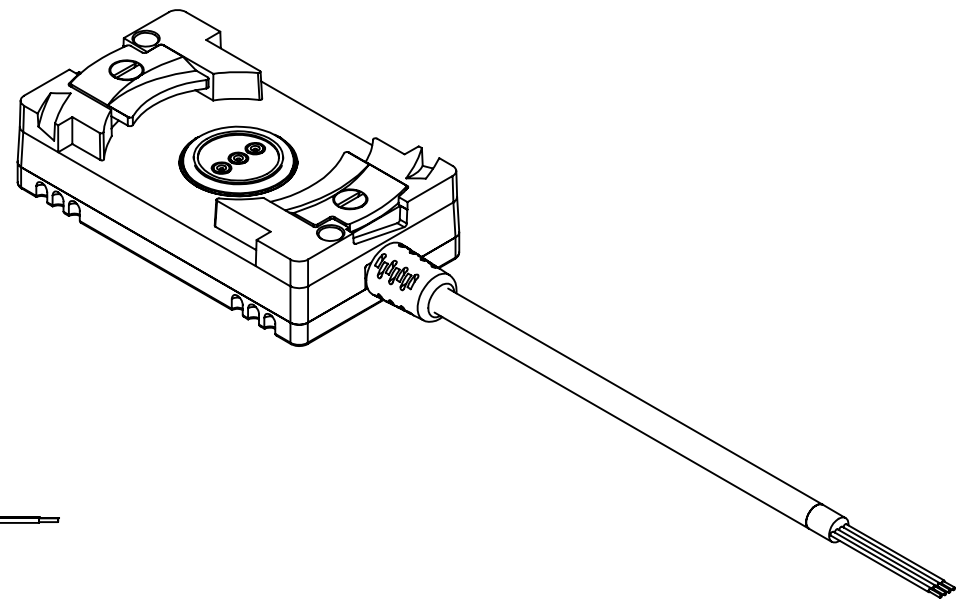
TABLE 1: WIRE RUN LIST	
P1	WIRE COLOR
PIN 3 (+)	WHITE
PIN 1 (+)	RED
GND (-)	GREEN
GND (-)	DRAIN

BRIDGED

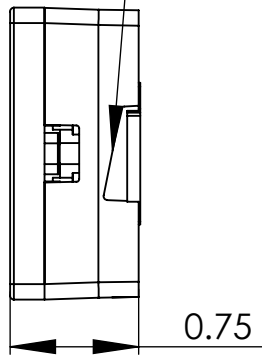
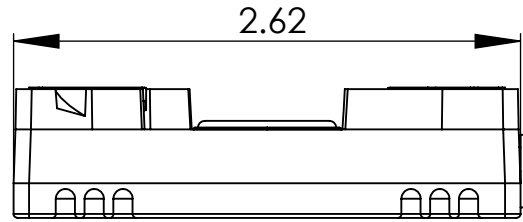
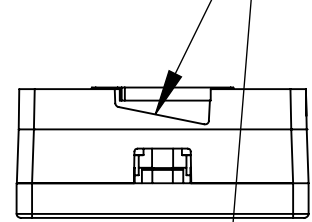


DETAIL A
P1 PINOUT
SCALE 1 : 0.75

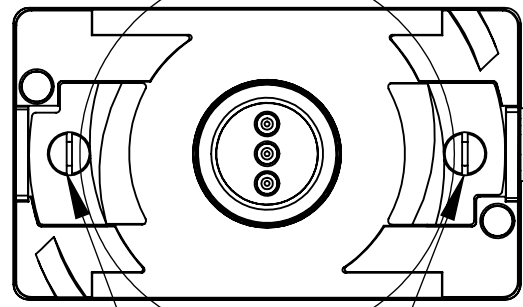
REVISIONS			
REV	DESCRIPTION	DATE	ENG
A	RELEASED	09/15/2025	MOB



SLOT FOR PRC-152 LOCKING LATCH



P1



A
GND TABS

SR:0024

3 FEET
(36.0" STOCK SIZE)

STRIPPED LENGTH 1.50"

TINNED LENGTH 0.125"

BILL OF MATERIALS			
ITEM NO.	PART NUMBER	QTY	NAME/DESCRIPTION
1	FE-411-02A2	1	CONNECTOR HOUSING
2	FE-411-02B	1	HOUSING BACK COVER
3	STEEL-TAB	2	GND TABS
4	67566521 / OR EQUIV.	1	18-8 SS, PHILLIPS FLAT HEAD SCREW, 4-40 x 3/8"
5	91099A160 / OR EQUIV.	1	18-8 SS, PHILLIPS FLAT HEAD SCREW, 4-40 x 1/2"
6	90730A005 / OR EQUIV.	1	4-40 HEX NUT
7	90033A150 / OR EQUIV.	4	PHILLIPS FLAT HEAD SCREW, ZINC PLATED, #6 x 1/2"
8	571-063-R70BT	1	RED BUNA
9	223C-U01A	36"	3C, AWG 22, FOIL SHIELD, PU JACKET, .197" DIA.

- NOTES:
1. WIRING SHALL BE DONE IN ACCORDANCE WITH TABLE 1 WIRE RUN LIST.
 2. PACKAGING REQUIREMENTS:
 - A. EACH COMPLETED ASSEMBLY SHALL BE PACKAGED IN A ZIP POLYBAG.
 - B. CONNECTOR(S) SHALL BE PACKAGED TO PREVENT DAMAGE DURING SHIPPING. BUBBLE WRAP OR PROTECTIVE COVER MUST BE USED.
 - C. POLYBAG SHALL BE MARKED WITH SUPPLYNET LOGO, PRODUCT QR CODE, PART NUMBER, CAGE CODE, AND LOT NO, PER SN-STD-LBL REQUIREMENTS.
 3. WORKMANSHIP REQUIREMENTS:
 - A. MANUFACTURE TO IAW/WHMA A-620 CLASS 2 REQUIREMENTS.
 - B. SOLDERING SHALL BE COMPLIANT WITH IAW J-STD-001 AS APPLICABLE.
 - C. CONNECTOR(S) AND WIRE SHALL BE FREE FROM ANY SCRATCHES, CHIPS, AND DEFECTS.
 4. INSPECTION REQUIREMENTS:
 - A. EACH COMPLETED ASSEMBLY TO BE 100% TESTED FOR SHORTS, CONTINUITY, AND JACKET RESISTANCE (250V @100MOHM MIN.)
 - B. INSPECT TO IPC/WHMA A-620 CLASS 2 REQUIREMENTS.

UNLESS OTHERWISE SPECIFIED:		NAME	DATE
DIMENSIONS ARE IN: INCHES	TOLERANCES: .XX: ± 0.03	DRAWN	CWA09/11/2025
	.XXX: ± 0.005	CHECKED	RB 09/11/2025
ANGULAR: .X°: 1°	.XX°: 0.5°	COMMENTS:	
BREAK EDGES: .005 - .020	FILLETS: .005 - .020		
SURFACE FINISH:			
GEOMETRIC TOLERANCING PER: ASME Y14.5 -2009			
MATERIAL: SEE DRAWING NOTES			
FINISH: SEE DRAWING NOTES			
DO NOT SCALE DRAWING			

REF. NUMBER: SN0321

SupplyNet DESIGN ENGINEERING MANUFACTURING

TITLE:
AN/PRC-148/152 BATTERY ADAPTER CABLE

SIZE B	DWG. NO. CONN-MBITR-3C REV. A	REV A
------------------	---	-----------------

CAGE CODE: 1HJX9

SCALE: NA WEIGHT: SHEET 1 OF 1