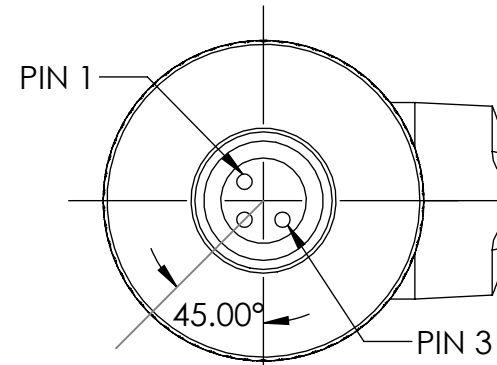


TABLE 1: WIRING	
P1	WIRE COLORS
1	BLACK, SHIELD*
2	N/C
3	WHITE

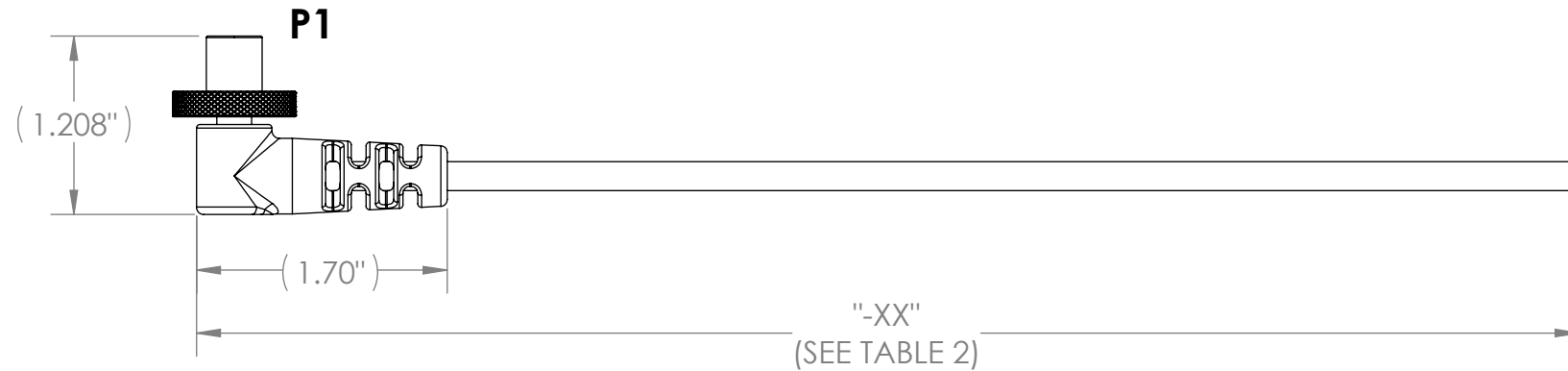
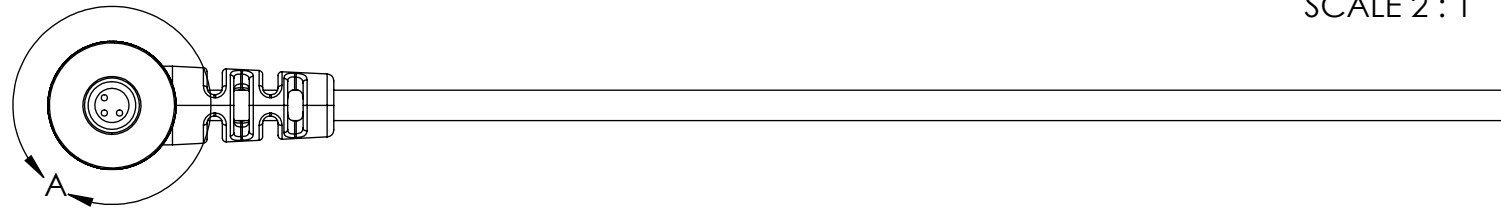
*PIN 1 ATTACHED TO BLACK WIRE AND CABLE SHIELD

TABLE 2: CABLE LENGTH		
PART NUMBER	"-XX" DIMENSION (INCHES)	TOLERANCE (INCHES)
SN-07006B0034-01	12	+1.0", -0.0"
SN-07006B0034-02	24	+2.0", -0.0"
SN-07006B0034-03	36	+2.0", -0.0"
SN-07006B0034-04	48	+2.0", -0.0"
SN-07006B0034-05	60	+2.0", -0.0"
SN-07006B0034-06	72	+4.0", -0.0"
SN-07006B0034-07	84	+4.0", -0.0"
SN-07006B0034-08	96	+4.0", -0.0"
SN-07006B0034-09	108	+4.0", -0.0"
SN-07006B0034-10	120	+4.0", -0.0"
SN-07006B0034-11	132	+6.0", -0.0"
SN-07006B0034-12	144	+6.0", -0.0"
SN-07006B0034-14	168	+6.0", -0.0"
SN-07006B0034-22	264	+6.0", -0.0"

REVISIONS			
REV	DESCRIPTION	DATE	ENG
C	UPDATED WIRE RUN LIST & P1 PINOUT	08/13/2024	CWA
D	UPDATED P1 STRAIN RELIEF MODEL	10/29/2024	CWA
E	ADDED 22 FOOT LENGTH	06/04/2026	GMW



DETAIL A
PIN LAYOUT P1
SCALE 2 : 1



BILL OF MATERIALS			
ITEM NO.	PART NO	QTY	NAME/DESCRIPTION
1	07006B0035	1	CONNECTOR, DAGR POWER
2	07006B0036	1	SPINNER, DAGR POWER
3	M3432-02LHE(2/20)SJ0250	-XX	CABLE, SHIELDED TWISTED PAIR

NOTES:

- WIRING SHALL BE DONE IN ACCORDANCE WITH TABLE 1 WIRE RUN LIST.
- PACKAGING REQUIREMENTS:
 - EACH COMPLETED ASSEMBLY SHALL BE PACKAGED IN A ZIP POLYBAG.
 - CONNECTOR(S) SHALL BE PACKAGED TO PREVENT DAMAGE DURING SHIPPING. BUBBLE WRAP OR PROTECTIVE COVER MUST BE USED.
 - POLYBAG SHALL BE MARKED WITH SUPPLYNET LOGO, PRODUCT QR CODE, PART NUMBER, CAGE CODE, AND LOT NO, PER SN-STD-LBL REQUIREMENTS.
- WORKMANSHIP REQUIREMENTS:
 - MANUFACTURE TO IAW/WHMA A-620 CLASS 2 REQUIREMENTS.
 - SOLDERING SHALL BE COMPLIANT WITH IAW J-STD-001 AS APPLICABLE.
 - CONNECTOR(S) AND WIRE SHALL BE FREE FROM ANY SCRATCHES, CHIPS, AND DEFECTS.
- INSPECTION REQUIREMENTS:
 - EACH COMPLETED ASSEMBLY TO BE 100% TESTED FOR SHORTS, CONTINUITY, AND JACKET RESISTANCE (250V @100MOHM MIN.)
 - INSPECT TO IPC/WHMA A-620 CLASS 2 REQUIREMENTS.

UNLESS OTHERWISE SPECIFIED:
 DIMENSIONS ARE IN: INCHES
 TOLERANCES: .XX: ± 0.03
 .XXX: ± 0.005
 ANGULAR: .X°: 1°
 .XX°: 0.5°
 BREAK EDGES: .005 - .020
 FILLETS: .005 - .020
 SURFACE FINISH:
 GEOMETRIC TOLERANCING
 PER: ASME Y14.5 -2009
 MATERIAL: SEE DRAWING NOTES
 FINISH: SEE DRAWING NOTES
 DO NOT SCALE DRAWING

NAME	DATE
DRAWN: LS	5/6/2019
CHECKED: RB	5/6/2019
COMMENTS:	
PROPRIETARY AND CONFIDENTIAL THE INFORMATION CONTAINED IN THIS DRAWING IS THE SOLE PROPERTY OF SUPPLYNET, INC. ANY REPRODUCTION IN PART OR AS A WHOLE WITHOUT THE WRITTEN PERMISSION OF SUPPLYNET INC. IS PROHIBITED.	
CAGE CODE: 1HJX9	

REF. NUMBER: SN0642

TITLE:
CABLE ASSEMBLY, PIGTAIL, DAGR POWER, VARIABLE LENGTH

SIZE: B	DWG. NO.: SN-07006B0034-XX	REV: E
SCALE: NA	WEIGHT:	SHEET 1 OF 1