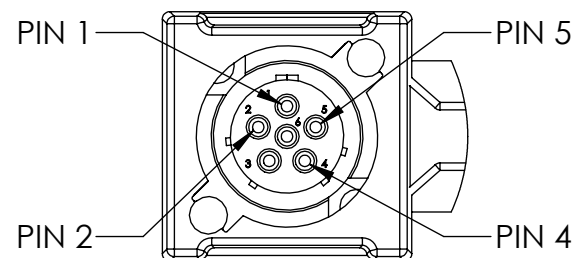
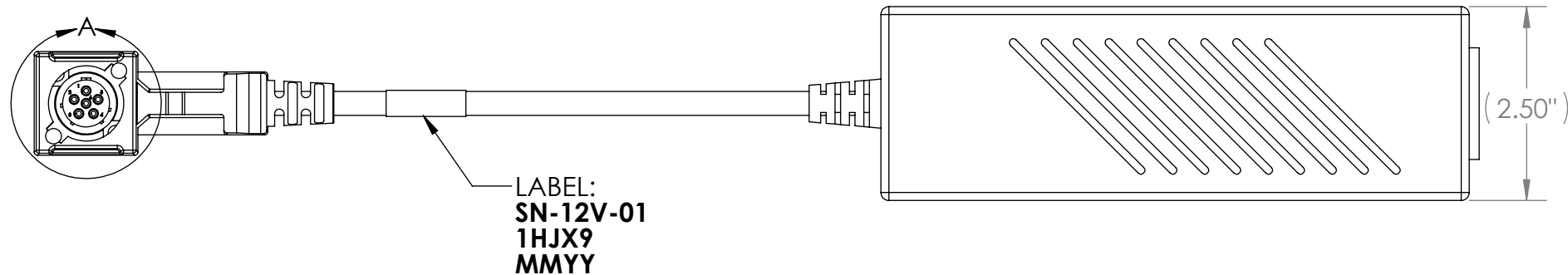
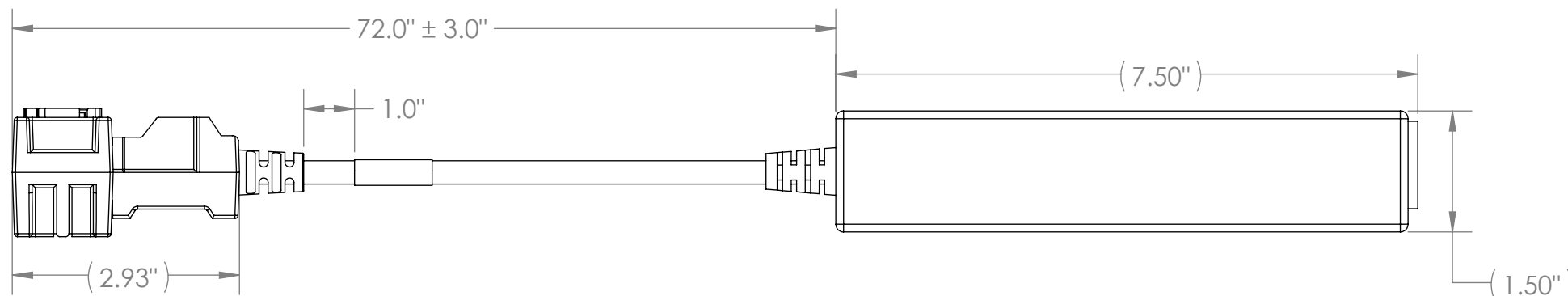
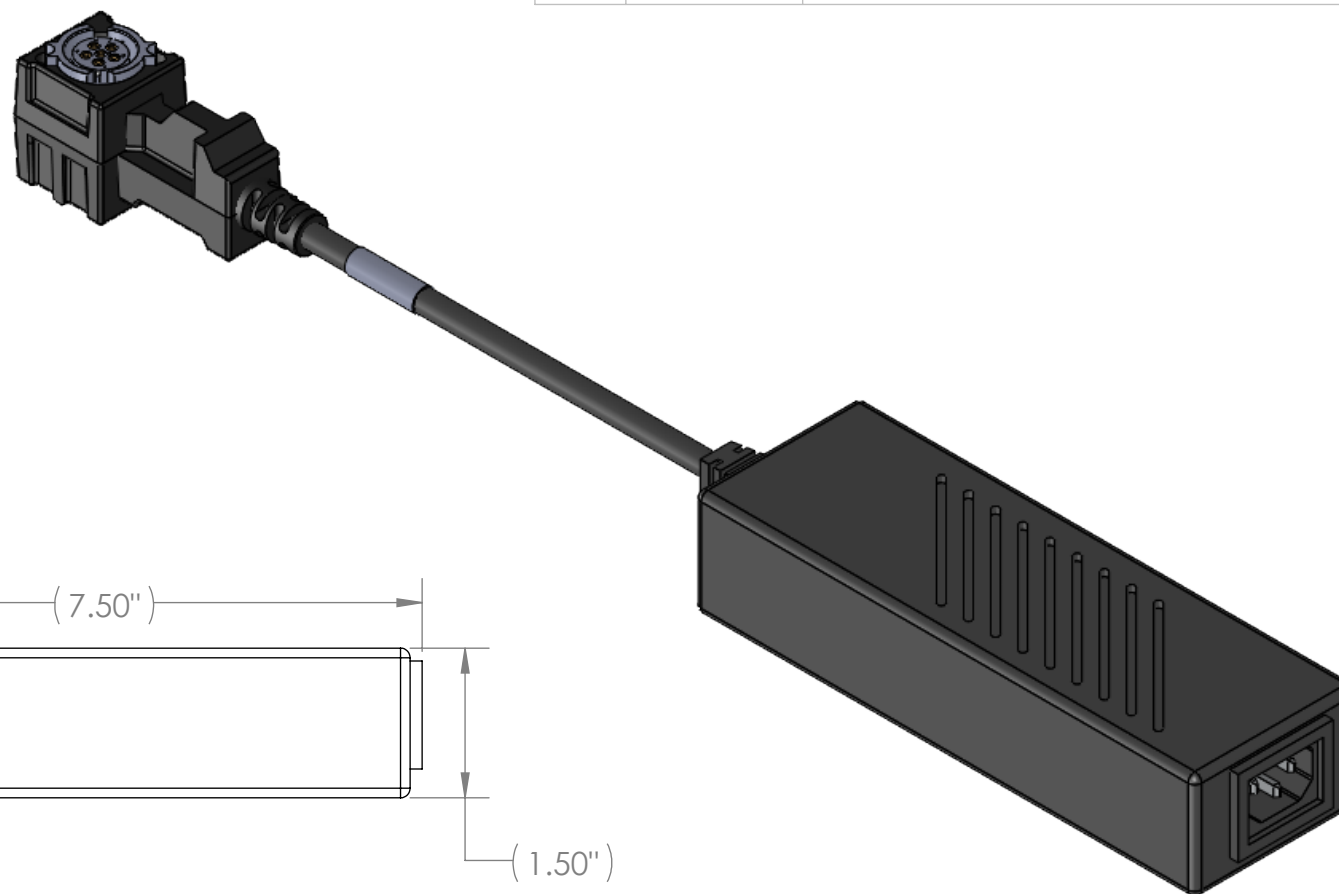


WIRE RUN LIST		
P1 (BA5590 FEMALE)	WIRE COLORS	P2 (POWER SUPPLY)
1	YELLOW	GROUND (-)
2	BLACK	GROUND (-)
4	WHITE	12V (+)
5	RED	12V (+)

REV	DATE	DESCRIPTION OF CHANGE	ENG
B	12/4/2018	REMOVED FERRITE CORE	LS




DETAIL A
SCALE 1 : 1



NOTES:
 1) INPUT VOLTAGE: 100 - 240 VAC.
 2) OUTPUT VOLTAGE: 12VDC @ 12.5 AMPS.
 3) INCLUDES POWER CABLE NOT SHOWN.
 4) IDENTIFICATION: IDENTIFY ON THE PART THE FOLLOWING INFORMATION FOR EACH PART DELIVERED: UOS PART MARKING ON THE WIRE IS PROHIBITED.
PN: SN-12V-01 REV X (REV MARKING PER PO)
CAGE CODE: 1HJX9
DATE OF MFGR: MM/YY

UNLESS OTHERWISE SPECIFIED:	NAME	DATE
DIMENSIONS ARE IN: INCHES	DRAWN	LS 1/15/13
TOLERANCES: .XX: ± 0.03	CHECKED	RB 1/15/13
.XXX: ± 0.005	COMMENTS:	
ANGULAR: .X°: 1°	PROPRIETARY AND CONFIDENTIAL	
.XX°: 0.5°	THE INFORMATION CONTAINED IN THIS DRAWING IS THE SOLE PROPERTY OF SUPPLYNET, INC. ANY REPRODUCTION IN PART OR AS A WHOLE WITHOUT THE WRITTEN PERMISSION OF SUPPLYNET INC. IS PROHIBITED.	
BREAK EDGES: .005 - .020	CAGE CODE: 1HJX9	
FILLETS: .005 - .020	DO NOT SCALE DRAWING	
SURFACE FINISH:		
GEOMETRIC TOLERANCING PER: ASME Y14.5-2009		
MATERIAL: SEE DRAWING NOTES		
FINISH: SEE DRAWING NOTES		

REF. NUMBER: SN0235	
 706 EXECUTIVE BLVD. SUITE B VALLEY COTTAGE, NY 10989	
TITLE: 12 V POWER SUPPLY WITH BA5590 FEMALE CONNECTOR	
SIZE B	DWG. NO. SN-12V-01
REV B	REV B
SCALE: NA	WEIGHT: SHEET 1 OF 1